

FORTEVER®

零 件 书

SPARE PARTS BOOK

HIGH SPEED TUBULAR EMBROIDERY MACHINE

高速帽绣机

MODEL: FT-1204H/FT-1504H

FT-1206H/FT-1506H

FT-1208H/FT-1508H

HIGH SPEED TUBULAR EMBROIDERY MACHINE

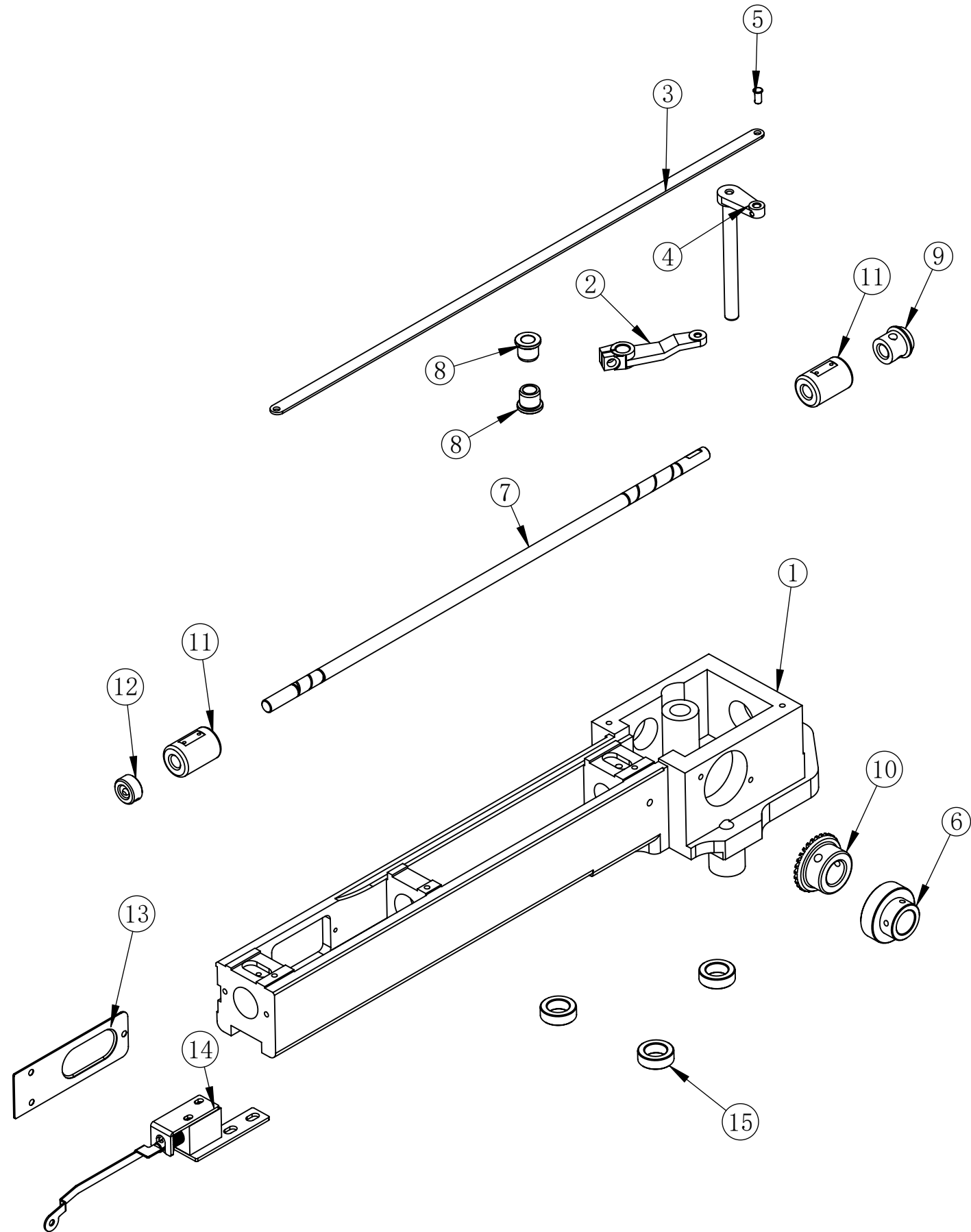
高速帽绣机

C O N T E N T S

目 录

1	Rotary Hook Base 梭床	8	Gear Box 齿轮箱
2	Trimming Parts 底线剪线部分	9	Machine Cover 机器罩盖
3	XY Drive System XY导轨驱动系统	10	Color Change Parts 换色
4	X Axis Guide Rail X向导轨	11	Trimming Drive System 剪线驱动
5	Y Axis Guide Rail Y向导轨	12	Tension 夹线器
6-1	Head Guide Rail Jump Solenoid 机头导轨 机头电磁铁	13	
6-2	Slide Block Take Up Lever A/B 针杆驱动块 挑线杆AB	14	
6-3	Needle Bar Driving Cam Set 大连杆组件	15	
6-4	Presser Foot Cam Block 压脚凸轮 压脚驱动块	16	Embroidery Frame 花架
6-5	Jump Motor 电机跳跃	17	Cap Frame Parts 帽框组件
7-1	Needle bar Take Up Lever 针杆 挑线杆	18	Cap Stand Frame 帽架
7-2	Head Cover Thread Lock 面盖 下过线		

1 Rotary Hook Base 梭床

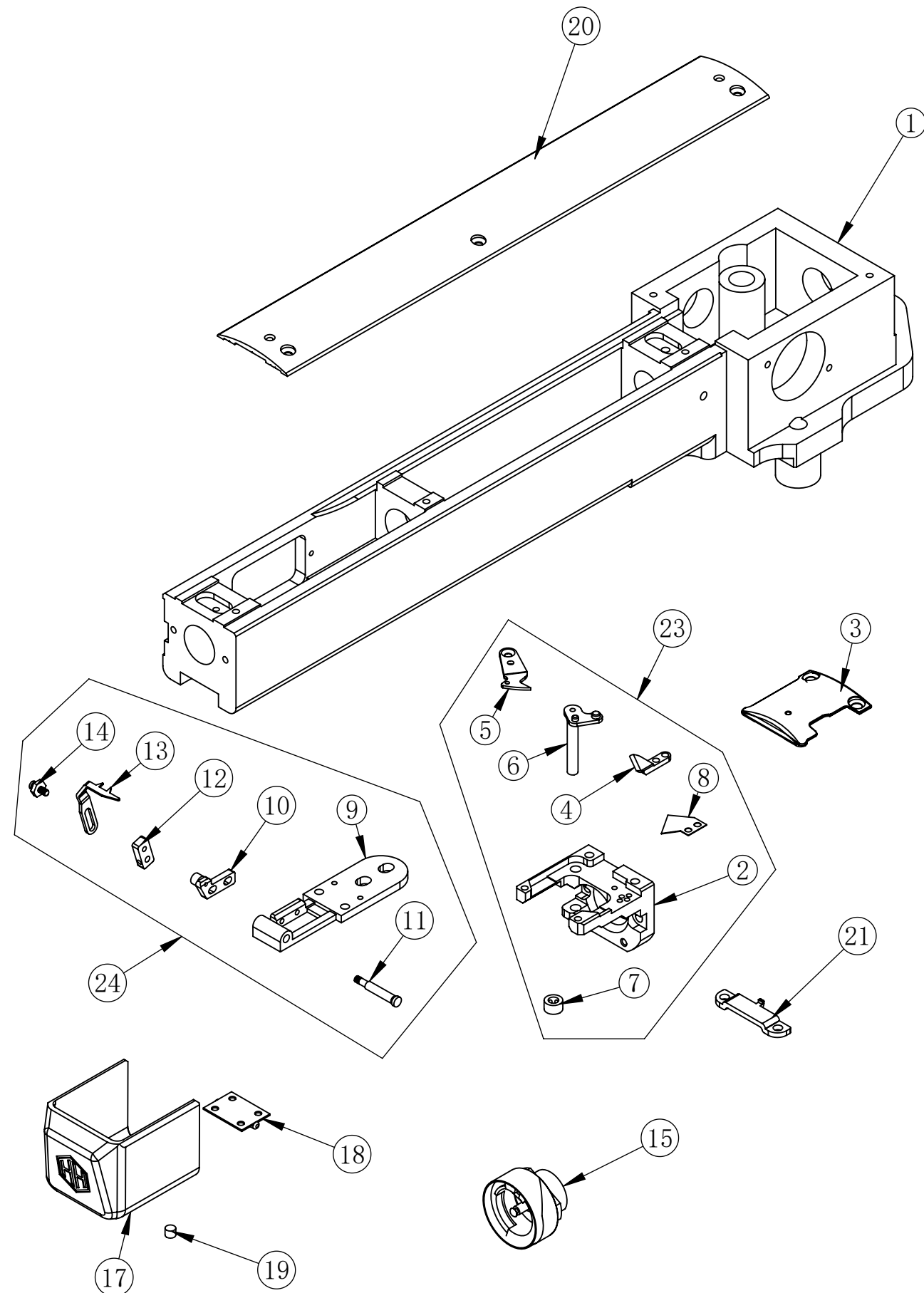


220826

1 Rotary Hook Base 梭床

No.	Chinese Description	Description	Part No.	Qty.
1	帽机梭床	Cylinder Bed A	103030001	1
2	开口剪线连杆	Drive Arm	105070006	1
3	剪线薄拉杆 - 帽机	Knife Connecting Plate	103030014	1
4	剪线驱动柄	Thread Trimming Lever	105070001	1
5	薄头销钉	Pin	105070022	1
6	联体轴承6003	Bearing 6003	202150003	1
7	帽机旋梭轴	Rotary Hook Shaft	103030005	1
8	铜套 D12-d8	Oiled Bearing	105070014	2
9	伞齿轮 小	Spiral Bevel GearB	102030005	1
10	伞齿轮 大	Spiral Bevel GearA	102030004	1
11	旋梭粉末套	Bushing	105030011	2
12	两眼挡圈	Collar	105030010	1
13	扣线电磁铁盖板	Left Cover	103030026	1
14	帽机扣线电磁铁装配-24V	Picker Solenoid Set	301070002	1
15	梭床垫圈 7mm	Ring	103030013	3

2 Trimming Parts 底线剪线

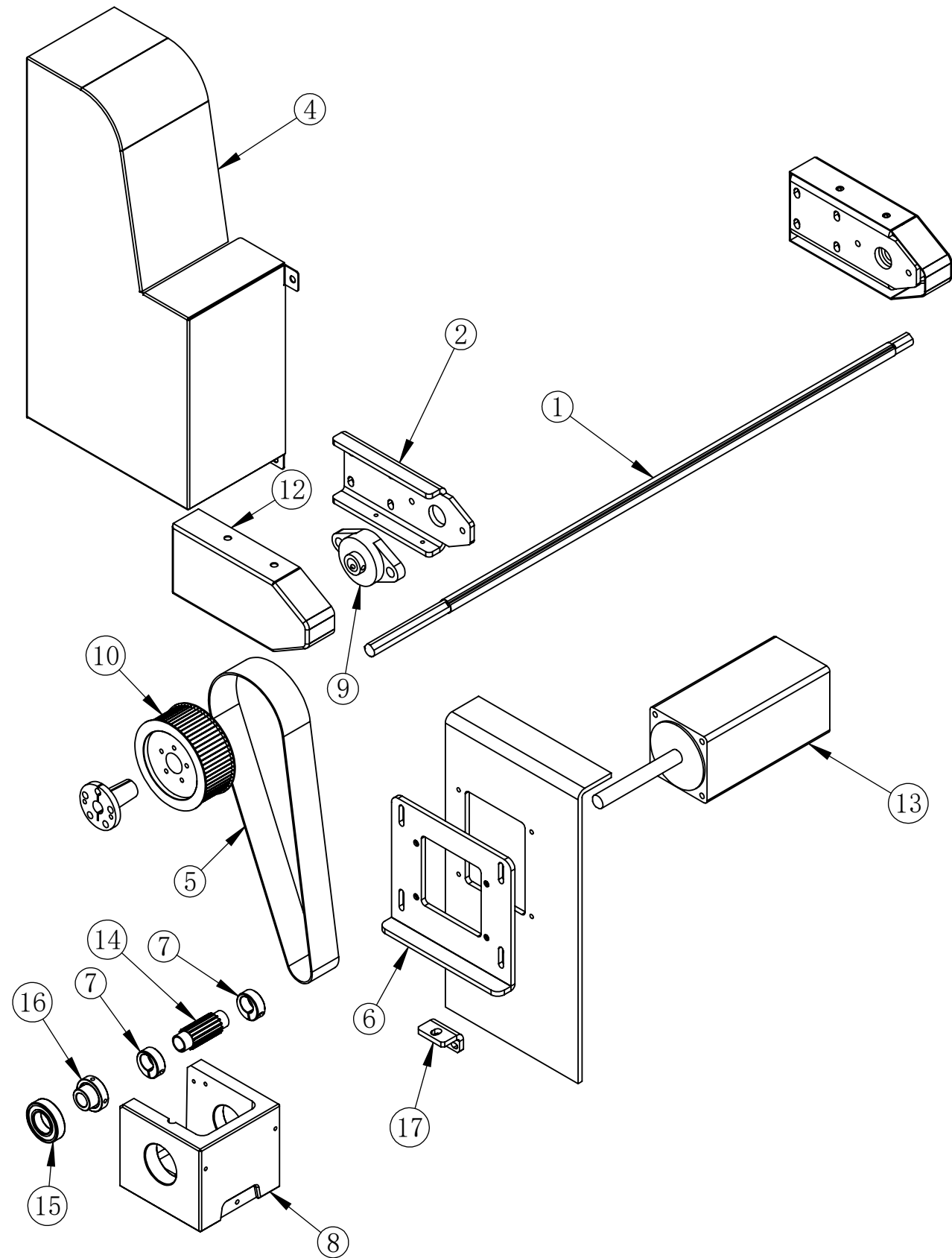


220826

2 Trimming Parts 底线剪线

No.	Chinese Description	Description	Part No.	Qty.
1	帽机梭床	Cylinder Bed A	103030001	1
2	针板座 - 帽机配弧	Needle Plate Bracket	103030036	1
3	弧形针板-多帽机	Needle Plate (arc-shaped)	103030034	1
4	定刀	Fixed Knife	103030018	1
5	动刀	Movable Knife	103030017	1
6	动刀驱动轴	Movable Knife Drive Arm	103030015	1
7	动刀轴套	Collar	103030016	1
8	压片	Under Thread Presser	103030019	1
9	扣线器底板	Picker Bracket	103030022	1
10	扣线器限位块	Picker Stopper	103030023	1
11	扣线器连接销	Pin		1
12	扣线器座	Picker Base	103030020	1
13	分线叉	Picker	103030021	1
14	台阶螺丝	Step screw		1
15	旋梭	Hook	211010001	1
17	旋梭塑料护罩	Hook Cover	103030025	1
18	1寸窄版合页	Hinge	103030039	1
19	圆强磁	Magnet	103030038	1
20	弧形梭床中盖板 - 帽机用	Mid Cover	103030035	1
21	旋梭定位勾	Rotary Hook Support	103030007	1
22	弧形针板-多帽机-高	Needle Plate	103030037	
23	帽机圆弧针板座组件	Needle Plate Bracket Set	301020013	
24	帽机扣线叉组件	Picker Set	301020012	

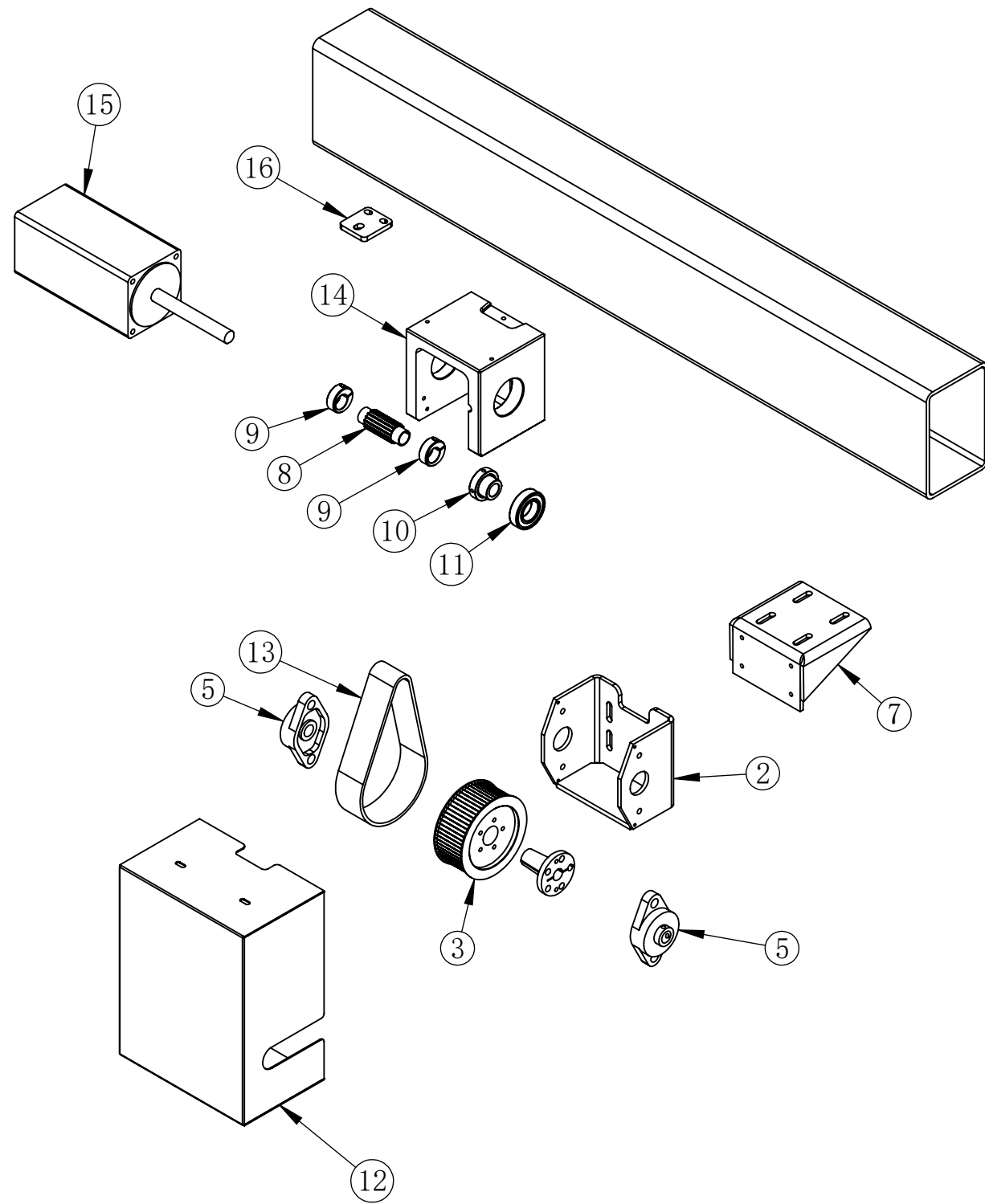
3-1 X Drive System X向电机驱动



3-1 X Drive System X向电机驱动

No.	Chinese Description	Description	Part No.	Qty
1	花键轴Y450	Splined Shaft Y450	103200006	1
2	X向线轨支架	Splined Shaft Support Base	103180001	2
4	X马达盖	X Motor Cover	103260001	1
5	X马达皮带 5M W40 L800	Trimming Belt	204030001	1
6	X向电机安装板	X Motor Base Plate	103180002	1
7	齿轮抱紧套	Retaining Ring	103180025	2
8	86伺服电机座(铝)	Motor Box	103180027	1
9	万向轴承 UCFL202	UC Bearing 202	202110001	2
10	减速箱同步轮P64-5M-40	Timing Pulley	103180007	1
12	X花键轴轴承座盖板	Cover	103260036	2
13	XY伺服电机 - 加长轴	XY Motor		1
14	同步轮5M 16T W43 d16	Wheel	103180024	1
15	轴承6005	Bearing	202010007	1
16	轴承衬套D25-d16	Bushing	103180026	1
17	X向电机张紧调节块	Tension Plate	103180005	1

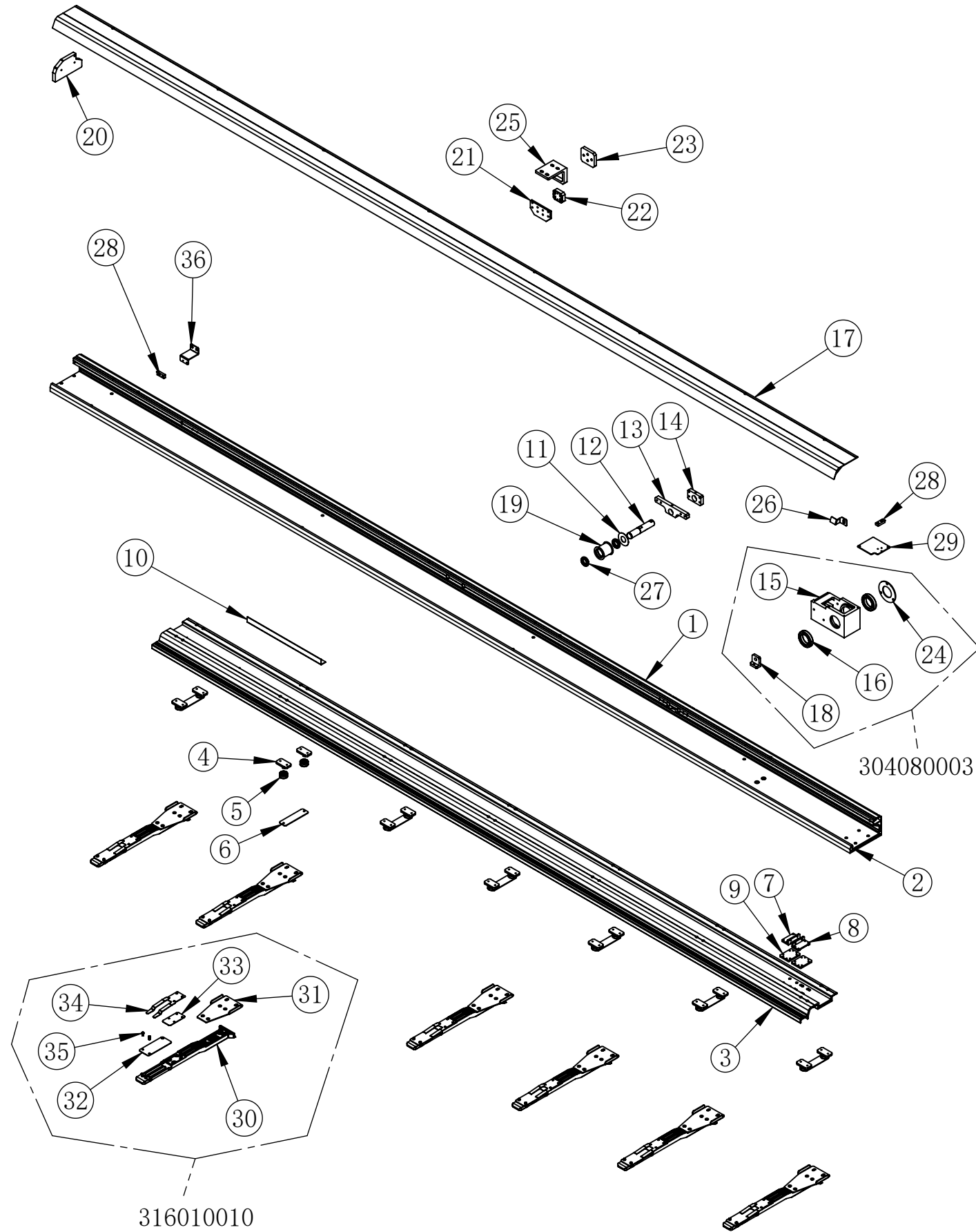
3-2 Y Drive System Y向电机驱动



3-2 Y Drive System Y向电机驱动

No.	Chinese Description	Description	Part No.	Qty
1	后梁模拟			1
2	钣金减速箱（大轮）	Speed Reduction Box	103180009	1
3	减速箱同步轮P64-5M-40	Timing Pulley	103180007	1
5	万向轴承 UCFL202	UC Bearing 202	202110001	2
7	Y向电机支架	Y Motor Support	103180008	1
8	同步轮5M 16T W43 d16	Wheel	103180024	1
9	齿轮抱紧套	Retaining Ring	103180025	2
10	轴承衬套D25-d16	Bushing	103180026	1
11	轴承6005	Bearing	202010007	1
12	Y马达联体罩盖	Cover	103260002	1
13	Y向电机皮带	Triming Belt	204030002	1
14	86伺服电机座（铝）	Motor Box	103180027	1
15	XY伺服电机 - 加长轴	XY Motor		1
16	Y向电机张紧调节块	TENSION PLATE	0103180012	1

4 X Axis Duide Rail X向导轨

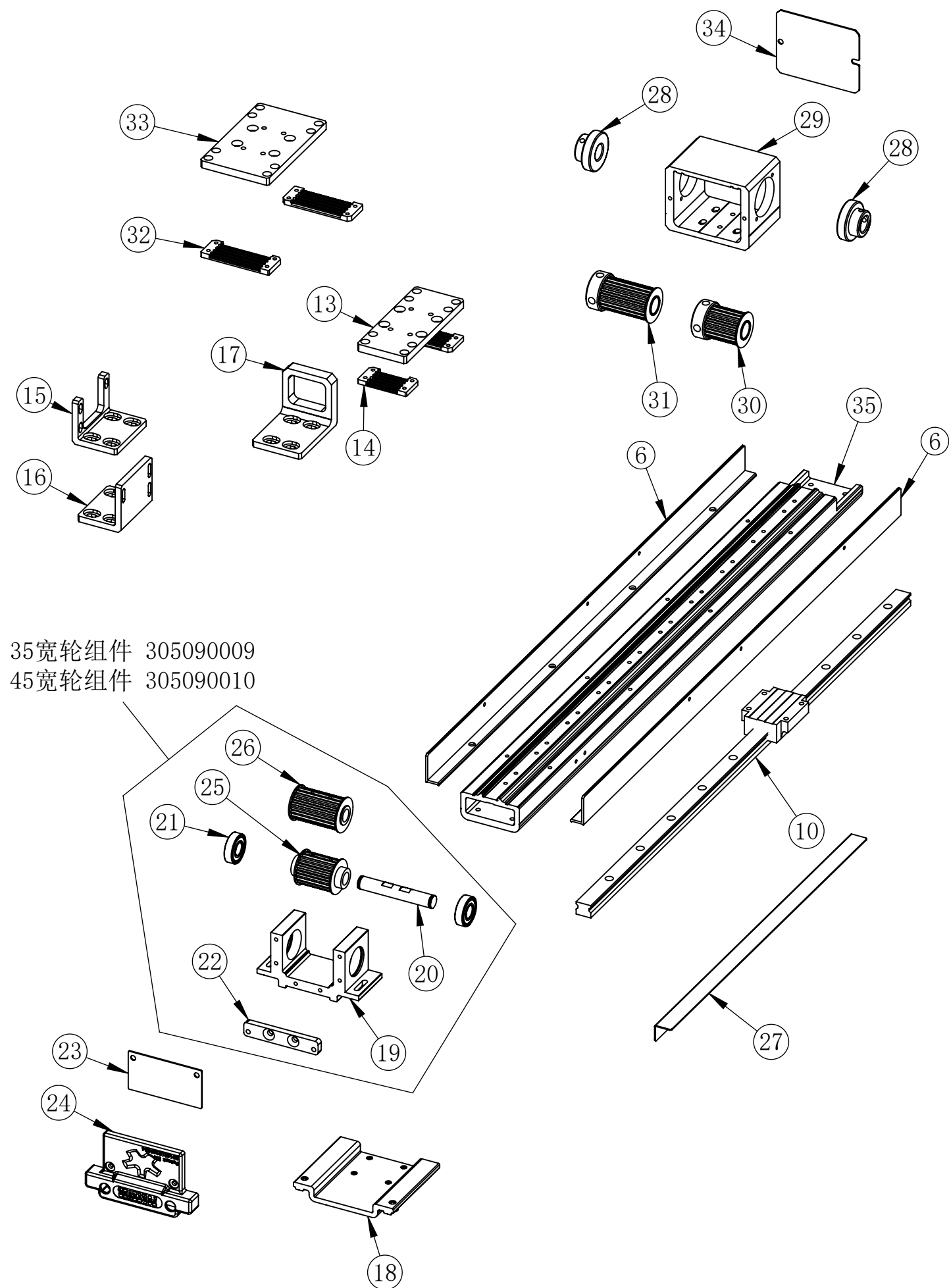


221021

4 X Axis Duide Rail X向导轨

No.	Chinese Description	Description	Part No.	Qty
1	帽机框架底板	Frame Base	103190001	1
3	帽机框架动板	Frame Moving Plate	103190002	1
4	轴承座方块	Bearing Block	103200001	14
5	U型槽轴承SG66	U Bearing SG66	202140001	14
6	轴承衬板	Bearing Connect Plate	103200002	7
7	调节齿板 30带宽	Belt Adjust Plate A	103200003	1
8	调节齿板 30带宽 - B	Belt Adjust Plate B	103200004	1
9	皮带调节固定端底板	Belt Adjust Plate Base	103200005	2
10	接近感应角条	Limit Buffer	103200019	1
11	被动轮隔离垫片	Washer	103200017	1
12	被动轮轴D17	Pulley Shaft D17	103200007	1
13	被动轮轴内侧衬板	Shaft Inner Lining Plate	103200008	1
14	被动轮轴外侧衬板	Outside Lining Plate	103200009	1
15	主动轮座	Driver Pulley Box	103200010	1
16	轴承 6906	Bearing 6906	202010002	2
17	帽机框架盖	Frame Cover	103190003	1
18	主动轮座支架	Box Support	103200011	1
19	光面被动轮	Driven Wheel	103200012	1
20	帽框左侧板座	Left Side Plate	103200013	1
21	驱动中联接过渡板	Mid Connect Plate	103200014	1
22	驱动中连接键	Mid Connect Key Block	103200015	1
23	驱动中连接键压板	Mid Connect Key Presser Plate	103200016	1
24	轴承压板	Bearing Presser	103200018	1
25	驱动联接角铁 (中)	Angle Joint Plate Mid	103170006	1
26	盖板右固定板	Cover Support	103200020	1
27	轴承 6803	Bearing 6803	202010018	2
28	接近感应器 SP08-D3NA	Limit Sensor	207030005	2
29	主动轮座盖板	Box Cover	103200022	1
30	双拼扶手 (铸铝)	Frame Bracket AL	103200039	7
31	铸铝扶手联接板	Bracket Connect Plate	103200040	7
32	前底板T0.8	Front Plate	103200041	7
33	压头板下压板	Lower Plate	103200042	7
34	双拼压头板T1.0	Pressor Plate	103200043	7
35	圆头D6H6螺丝	Screw Pin	103200044	21
36	X接近感应器支架	Sensor Support	103200045	1

5 Y Axis Guide Rail Y向导轨

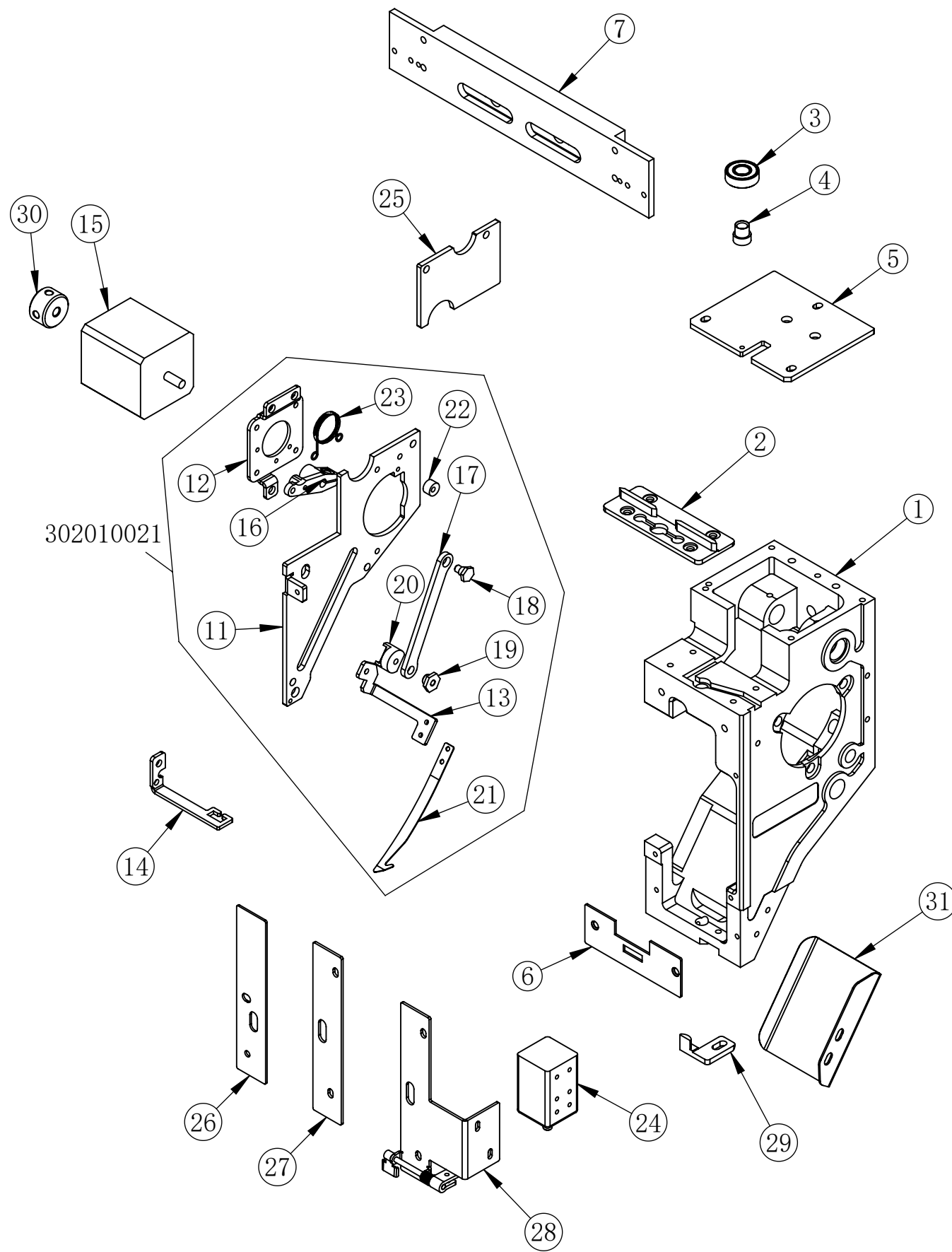


35宽轮组件 305090009
45宽轮组件 305090010

5 Y Axis Guide Rail Y向导轨

No.	Chinese Description	Description	Part No.	Qty
1	1#铝制导轨底座L565	Y Drive Base 1#	103150011	1
35	2#铝制导轨底座L665	Y Drive Base 2#	103150012	1
3	3#铝制导轨底座L635	Y Drive Base 3#	103150013	
4	4#铝制导轨底座L845	Y Drive Base 4#	103150014	
5	侧护板1#	Side Cover	103150015	
6	侧护板2#	Side Cover	103150016	2
7	侧护板3#	Side Cover	103150017	
8	侧护板4#	Side Cover	103150018	
9	直线导轨H15L520	Liner Way H15	203040001	
10	直线导轨H15L620	Liner Way H15	203040002	1
11	直线导轨H15L590	Liner Way H15	203040003	
12	直线导轨H15L800	Liner Way H15	203040004	
13	帽机Y导轨压板-W30	Y-axis Feed Plate	103170002	1
14	独立齿板 30带宽	Belt Plate	103170003	2
15	驱动联接角铁 (左)	Angle Joint Plate Left	103170004	1
16	驱动联接角铁 (右)	Angle Joint Plate Right	103170005	1
17	驱动联接角铁 (中)	Angle Joint Plate Mid	103170006	1
18	导轨被动轮支架底座	Holder Base	103170007	1
19	导轨被动轮支架	Holder:Tension Pulley	103170008	1
20	被动轮轴	Pulley Shaft D12	103170010	1
21	轴承6001 D28d12H8	Bearing 6001	202010001	2
22	调节板	Adjust Plate	103170011	1
23	被动轮支架端盖	Cover	103170014	1
24	被动轮前塑料端盖	Cover	103170019	1
25	被动轮5M20TW35	Pulley	103170009	1
26	被动轮S5M20TW47	Pulley S5MW47	103170021	1
27	接近感应角条 - Y向	Limit Buffer	109170004	1
28	联体轴承 S6904	Bearing	202150021	2
29	主动轮座 - 铝制整体	Bearing Base	103150010	1
30	主动动轮5M20TW32d15	Pulley	103170001	1
31	主动动轮5M20TW47d15	Pulley W47 d15	103170022	1
32	独立齿板 50带宽	Belt Plate	103170023	2
33	帽机Y导轨压板-W45	Y-axis Feed Plate	103170024	1
34	主动轮座盖板	Side Cover	103170016	1

6-1 Arm 1 机头1

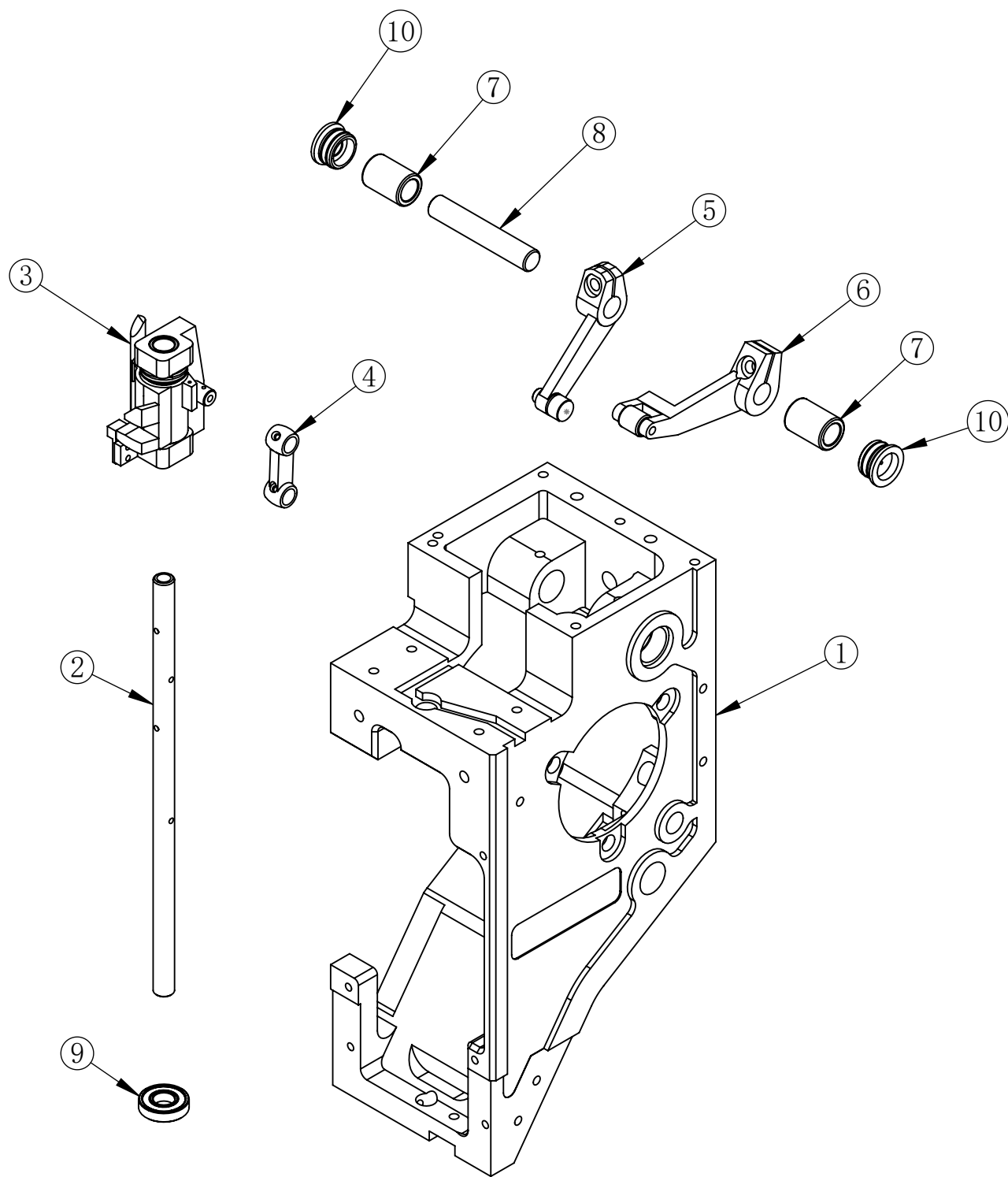


221021

6-1 Arm 1 机头1

No.	Chinese Description	Description	Part No.	Qty
1	机头壳47ST	Head	102010001	1
2	换色导条	Take-up Lever Guide Rail	102010007	1
3	轴承698	Bearing	202010016	1
4	自扣轴承销	Roller Pin	102010003	1
5	机头上盖板	Head Up Cover	102010002	1
6	机头前下导板	Plate	102010005	1
7	机头上导轨9针 不带夹板耳	Slide Rail 9N(Single)	203030005	
7	机头上导轨 9针	Slide Rail 9N	203030001	1
8	机头上导轨6针 不带夹板耳	Slide Rail 6N(Single)	203030008	
8	机头上导轨6针	Slide Rail 6N	203030004	
9	机头上导轨12针不带夹板耳	Slide Rail 12N(Single)	203030006	
9	机头上导轨 12针	Slide Rail 12N	203030002	
10	机头上导轨15针不带夹板耳	Slide Rail 15N(Single)	203030007	
10	机头上导轨 15针	Slide Rail 15N	203030003	
11	电机勾线板	Side Cover	102010009	1
12	勾线电机座	Base: Hook Motor	102040001	1
13	电机勾线勾刀连杆	Hook Support	102040002	1
14	电机勾线勾刀导向板	Guide:Hook	102040003	1
15	47机头勾线电机	Motor	206010005	1
16	电机勾线驱动连杆	Driver Lever:Hook	102040004	1
17	电机勾线中间连杆	Connecting Plate : Hook	102040005	1
18	连杆轴螺丝	Stepped Screw	102040006	1
19	连杆轴圈	Spacer	102040007	1
20	尼龙滑块	Slide	102040008	1
21	弧形勾刀	Hook	102040009	1
22	橡胶缓冲套	Damper Ring	102090013	1
23	勾线扭簧-高速机	Spring	102040015	1
24	面线夹电磁铁 (大)	Solenoid	206150002	1
25	机头上侧板	Side Cover	102010008	1
26	机头前盖L	Head Front Cover	102050001	1
27	机头前盖R	Head Front R	102010004	1
28	锁线装置组件 (右置大)	Open Frame Driven Set	302010046	1
29	高速针杆架定位勾	Needle Bar Case	102010006	1
30	电机手动旋钮	Handle	105040001	1
31	勾线器后挡板	Back Side Cover	102040012	1

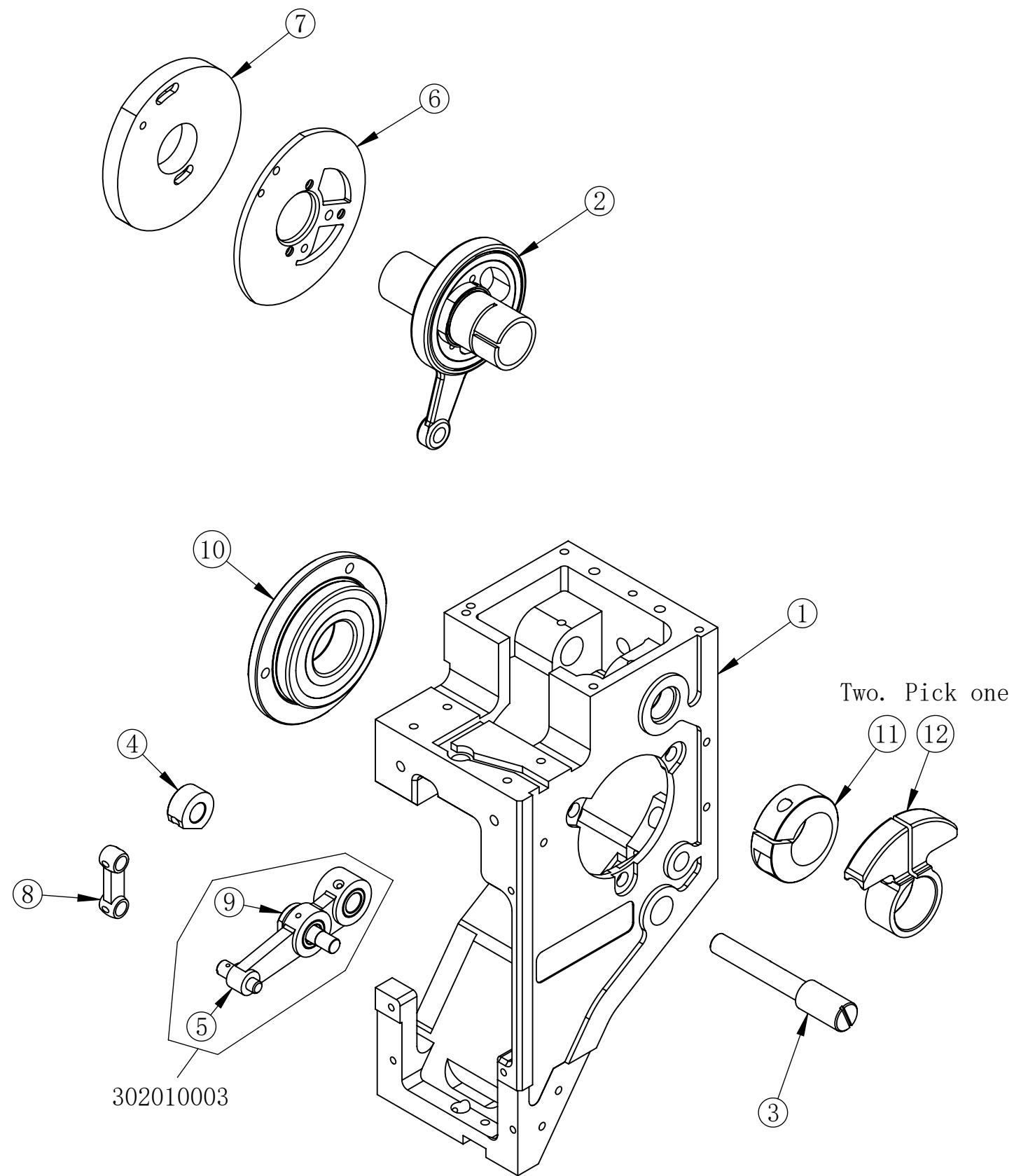
6-2 Arm 2 机头2



6-2 Arm 2 机头2

No.	Chinese Description	Description	Part No.	Qty
1	机头壳47ST	Head	102010001	1
2	针杆驱动轴	Needle Bar Drive Shaft	105010027	1
3	针杆驱动器组件-47机头	Needle Bar Rectiparocator Set	302010007	1
4	针杆驱动连杆(小连杆)	Connecting Rod	102010035	1
5	挑线杆A组件	Take Up Lever A Set	302010005	1
6	挑线杆B组件	Take Up Lever B Set	302010006	1
7	挑线杆轴衬套	Bearing Case Bushing	102010023	2
8	挑线杆轴	Straight Pin	102010018	1
9	下导轨轴承	Bearing	202010004	1
10	挑线轴塑料堵头	Cover	102010022	2

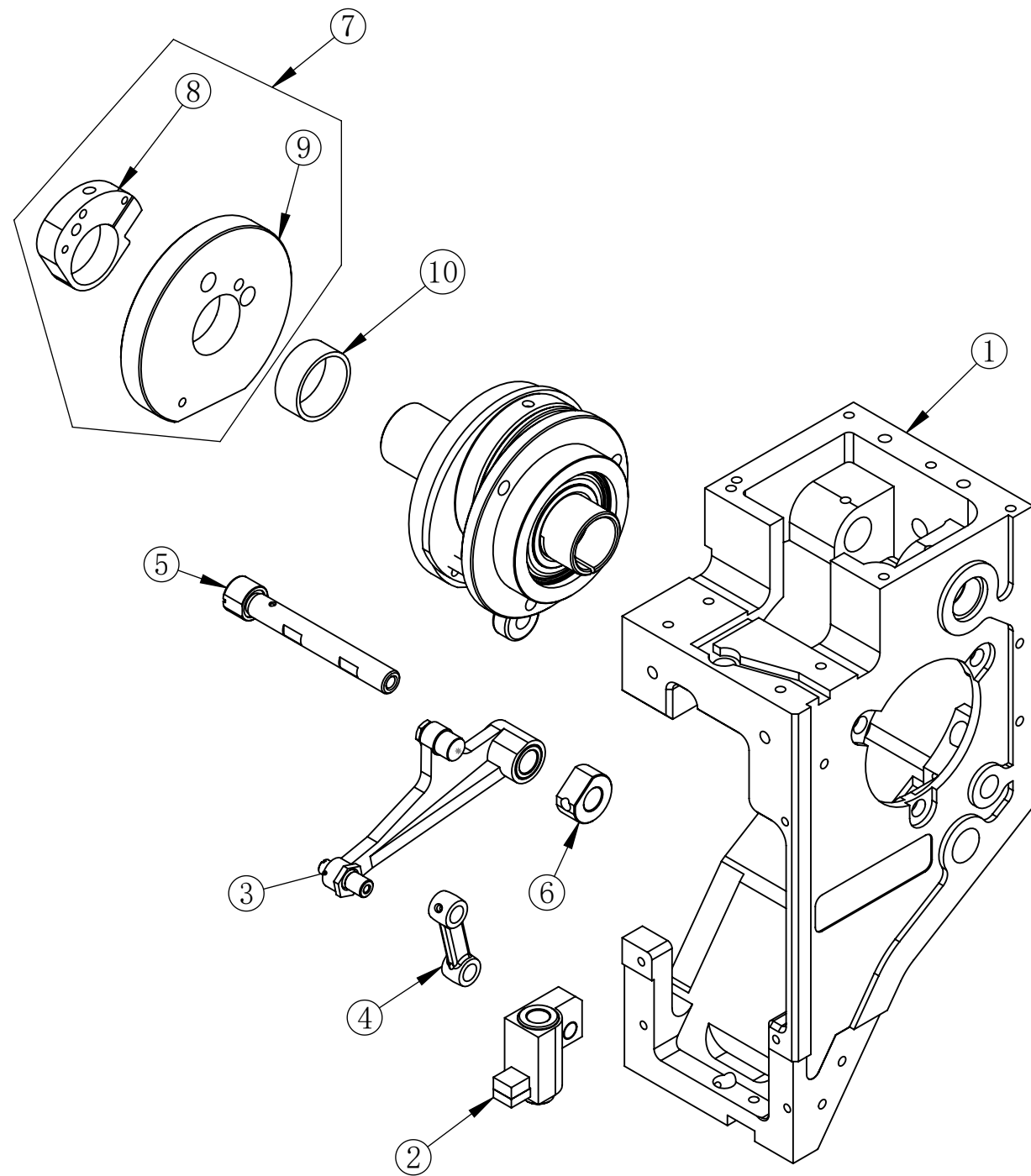
6-3 Arm 3 机头3



6-3 Arm 3 机头3

No.	Chinese Description	Description	Part No.	Qty
1	机头壳47ST	Head	102010001	1
2	TLB加长凸轮连杆轴承	BOM Cam Set	302010002	1
3	三眼连杆定位轴	Stepper Pin	102010030	1
4	定位挡圈M5	Stopper Collar	102010032	1
5	三眼连杆组件	Lever Needle Bar Set	302010003	1
6	凸轮盖板 (配BOM)	CAM BASE	102010027	1
7	挑线凸轮	Cam:Take-Up Lever	102010028	1
8	针杆驱动连杆(小连杆)	Connecting Rod	102010035	1
9	1号销	Stepped Screw	102010033	0
10	F70/22法兰联体轴承	Bearing Case Set	302010001	1
11	偏心夹头	Tightening Collar	102010024	1
12	轴径18锁紧套 - 带平衡	Tightening Collar	102010051	1

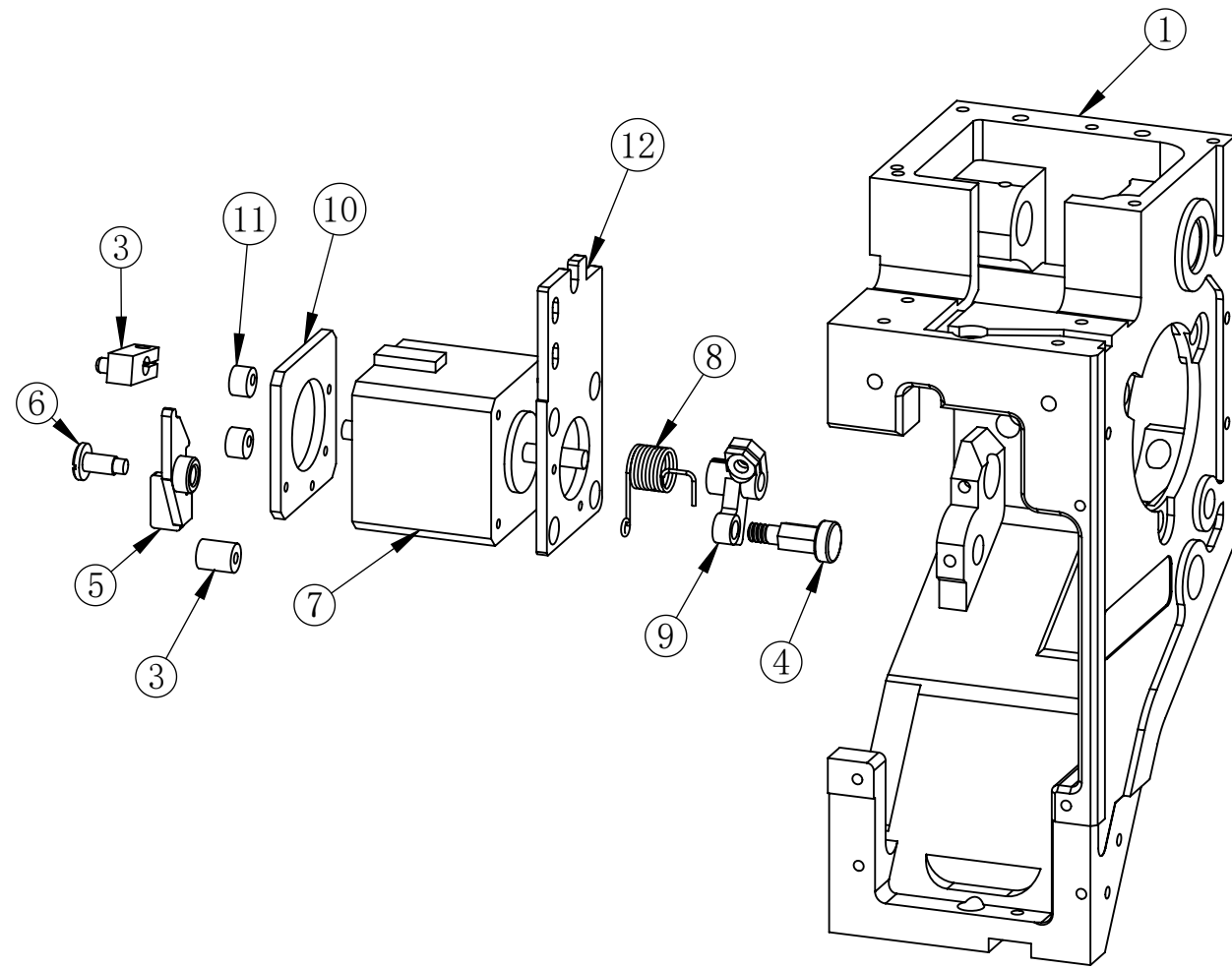
6-4 Arm 4 机头4



6-4 Arm 4 机头4

No.	Chinese Description	Description	Part No.	Qty
1	机头壳47ST	Head	102010001	1
2	压脚驱动器组件	PRESSER FOOT DRIVER SLIDE BOLCK	302010009	1
3	压脚连杆组件	Connecting Rod	302010010	1
4	压脚小连杆-孔距24.5	Connecting Rod	102010044	1
5	压脚连杆定位轴	Presser Foot Fixing Pin	102010043	1
6	定位挡圈M5	Stopper Collar	102010032	1
7	47压脚凸轮铝圈组件	Cam Set	302010004	1
8	压脚凸轮固定座	Base:Cam	102010040	
9	压脚凸轮	Cam	102010041	
10	凸轮隔圈	Collar	102010042	1

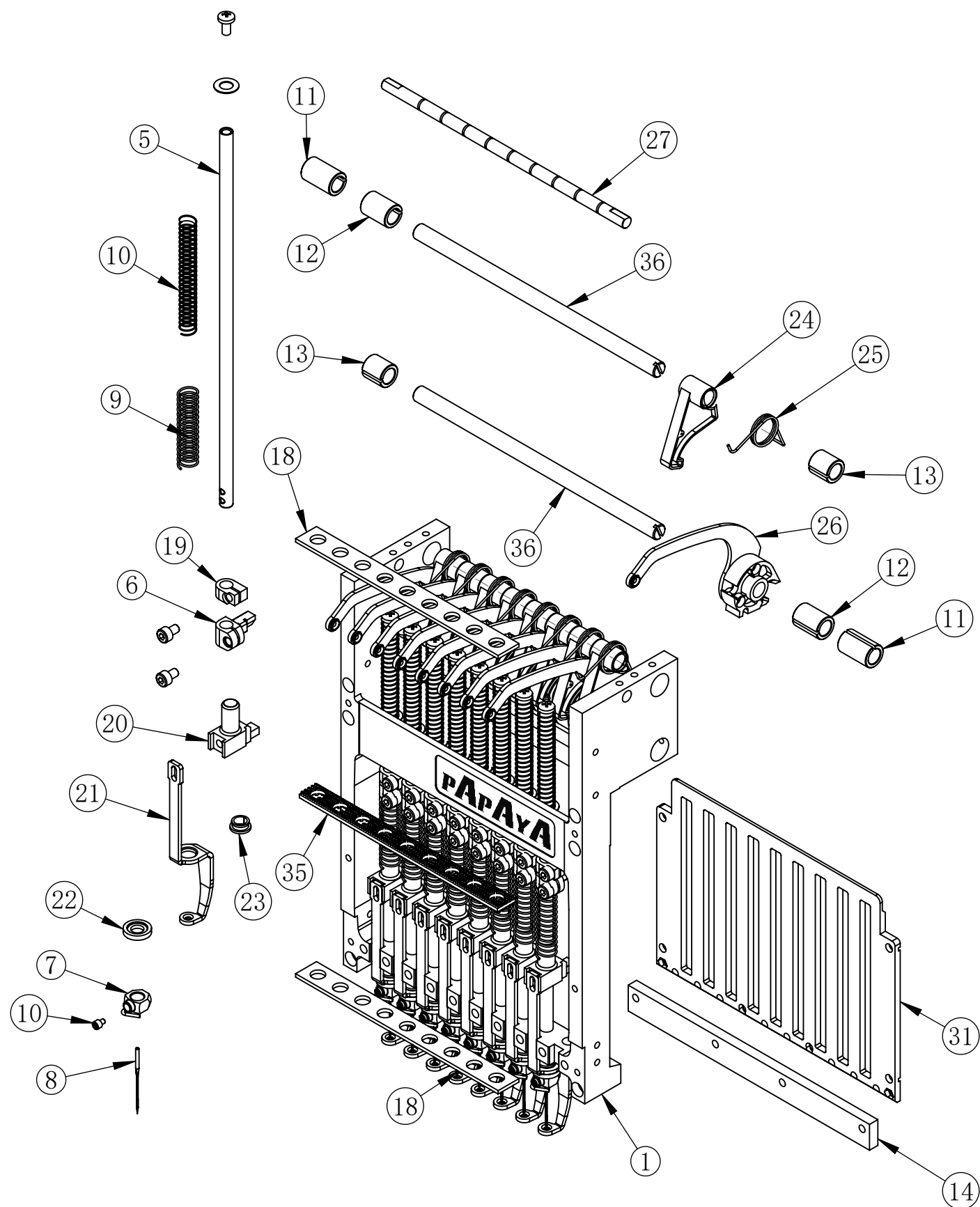
6-5 Jump Motor 跳跃电机



6-5 Jump Motor 跳跃电机

No.	Chinese Description	Description	Part No.	Qty
1	机头壳47ST	Head	102010001	1
3	止动销	Stop Pin	102090005	1
3	控制柄	Lever For Jump Motor	102090006	1
4	驱动连杆轴承	Jump Bearing	102090007	1
5	手动柄	Clutch Lever	102090008	1
6	手动销	Stepped Screw	102090009	1
7	47机头跳跃电机	Jump Motor	206010002	1
8	跳跃回位弹簧	Torsion Spring	102090010	1
9	跳跃驱动连杆	Lever Jump	102090011	1
10	限位安装侧板	Rear Board	102090012	1
11	橡胶缓冲套	Damper Ring	102090013	2
12	跳跃电机安装板	Jump Motor Bracker	102090004	1

7-1 Needle Bar Case 1 针架1



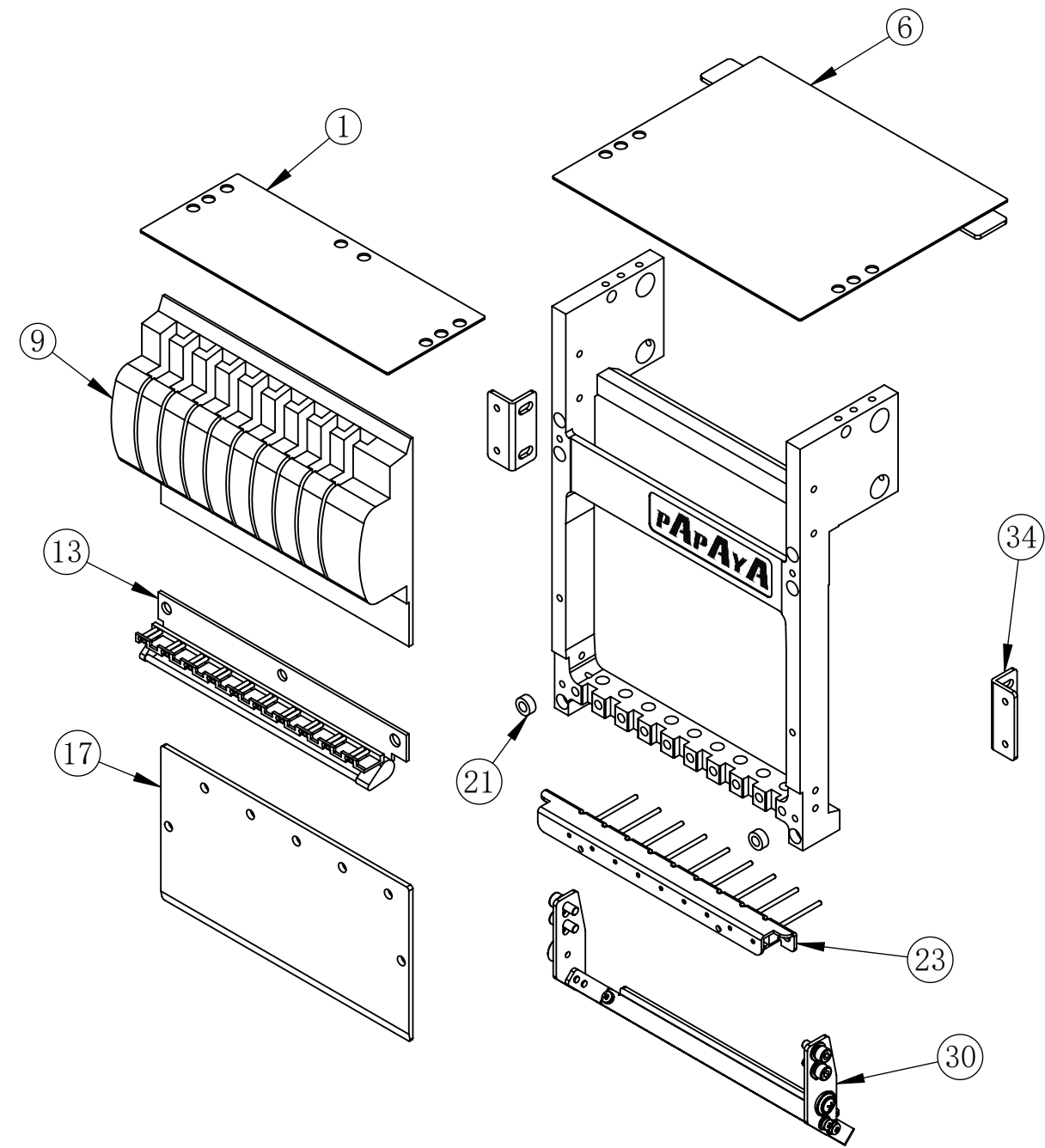
220808

7-1 Needle Bar Case 1 针架1

No.	Chinese Description	Description	Part No.	Qty
1	针杆架 9针	Needle Bar Case 9N	102020001	1
2	针杆架 6针	Needle Bar Case 6N	102020002	
3	针杆架 12针	Needle Bar Case 12N	102020003	
4	针杆架 15针	Needle Bar Case 15N	102020004	
5	针杆L217	Needle Bar	105020005	9
6	下死点	Needle Bar Connecting Stu	102020009	9
7	针夹 (连螺钉)	Needle Clamp	102020016	9
8	机针-11#	Needle	211090005	9
9	压脚弹簧	Compression Sprin	102020010	9
10	针杆上弹簧	Upper Spring	102020005	9
11	开口轴衬L19	Split Collar	102020019	2
12	开口轴衬L16	Split Collar	102020022	2
13	开口轴衬L12	Split Collar	102020017	2
14	下导轨条 9N	Needle Bar Lower Guide Rail	203030021	1
15	下导轨条 6N	Needle Bar Lower Guide Rail 6N	203030024	
16	下导轨条 12N	Needle Bar Lower Guide Rail 12N	203030022	
17	下导轨条 15N	Needle Bar Lower Guide Rail 15N	203030023	
18	下毛毡垫 9N	Felt Packing	102020015	2
19	上死点	Stopper Upper Poin	102020008	9
20	压脚调节套	Presser Foot Set Clamp	102020013	18
21	压脚-56	Presser Foot	102020014	9
22	压脚下弹圈	Washer	102020057	9
23	压脚中塑料套	Presser Foot Bushing	102020012	9
24	自扣	Lever Stopper	102020032	9
25	自扣弹簧	Torsion Spring	102020033	9
26	挑线杆片	Take-Up Lever	105010033	9
27	弹簧挡杆 9N	Spring Hook Bar	102020029	1
28	弹簧挡杆 6N	Spring Hook Bar 6N	102020036	
29	弹簧挡杆 12N	Spring Hook Bar 12N	102020037	
30	弹簧挡杆 15N	Spring Hook Bar 15N	102020038	
31	针杆导板 9针	Needle Bar Guide 9N	102020023	1
32	针杆导板 6针	Needle Bar Guide 6N	102020024	
33	针杆导板 12针	Needle Bar Guide 12N	105020008	
34	针杆导板 15针	Needle Bar Guide 15N	105020009	
35	麻垫	Damper Ring	102020007	1
36	挑线杆导向轴 9N	Guide Shaft	102020018	2
37	挑线杆导向轴 6N	Guide Shaft 6N	102020034	
38	挑线杆导向轴 12N	Guide Shaft 12N	102020035	
39	挑线杆导向轴 15N	Guide Shaft 15N	102020040	

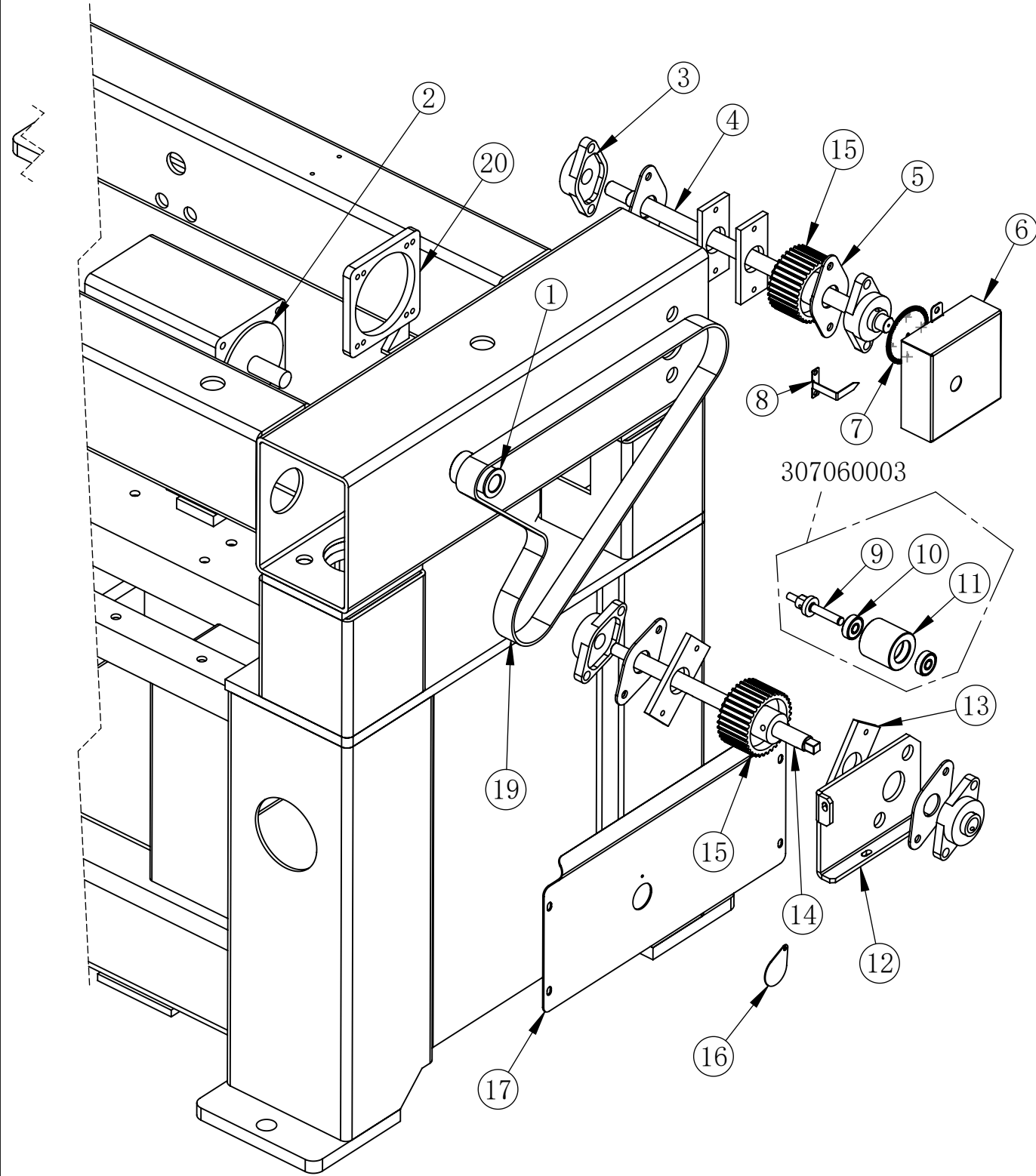
7-2 Needle Bar Case 2 针架2

7-2 Needle Bar Case 2 针架2



No.	Chinese Description	Description	Part No.	Qty
1	针架上隔板 9N	Top Cover 9N	102020053	1
2	针架上隔板 6N	Top Cover 6N	102020054	
4	针架上隔板 12N	Top Cover 12N	102020055	
5	针架上隔板 15N	Top Cover 15N	102020056	
6	针架上隔板(宽) 9N	Top Cover	102020063	1
7	针架上隔板(宽) 12N	Top Cover W12N	102020062	
8	针架上隔板(宽) 15N	Top Cover W15N	102020061	
9	针架上面板 9N	Take-Up Lever Cover 9N	102020044	1
10	针架上面板 6N	Take-Up Lever Cover 6N	102020045	
11	针架上面板 12N	Take-Up Lever Cover 12N	102020046	
12	针架上面板 15N	Take-Up Lever Cover 15N	102020047	
13	中过线组件 9N带簧式	Middle Thread Guide 9N	302010031	1
14	中过线组件 6N带簧式	Middle Thread Guide 6N	302010034	
15	中过线组件 12N带簧式	Middle Thread Guide 12N	302010032	
16	中过线组件 15N带簧式	Middle Thread Guide 15N	302010033	
17	针架下面板 9N	Under Cover 9N	102020048	1
18	针架下面板 6N	Under Cover 6N	102020049	
19	针架下面板 12N	Under Cover 12N	102020050	
20	针架下面板 15N	Under Cover 15N	102020051	
21	垫圈D9d5H4	Washer		2
22	面线架组件 9针 左置	Thread Lock 9N Left	302010051	
23	面线夹持组件 9针 右置	Thread Lock 9N Right	302010052	1
24	面线夹持组件 6针 左置	Thread Lock 6N Left	302010049	
25	面线夹持组件 6针 右置	Thread Lock 6N Right	302010050	
26	面线夹持组件 12针 左置	Thread Lock 12N Left	302010053	
27	面线夹持组件 12针 右置	Thread Lock 12N Right	302010054	
28	面线夹持组件 15针 左置	Thread Lock 15N Left	302010055	
29	面线夹持组件 15针 右置	Thread Lock 15N Right	302010056	
30	下毛刷组件 9N	Thread Holder 9N	302010041	1
31	下毛刷组件 6N	Thread Holder 6N	302010044	
32	下毛刷组件 12N	Thread Holder 12N	302010042	
33	下毛刷组件 15N	Thread Holder 15N	302010043	
34	七字板支架	Cover Bracket	103260033	2

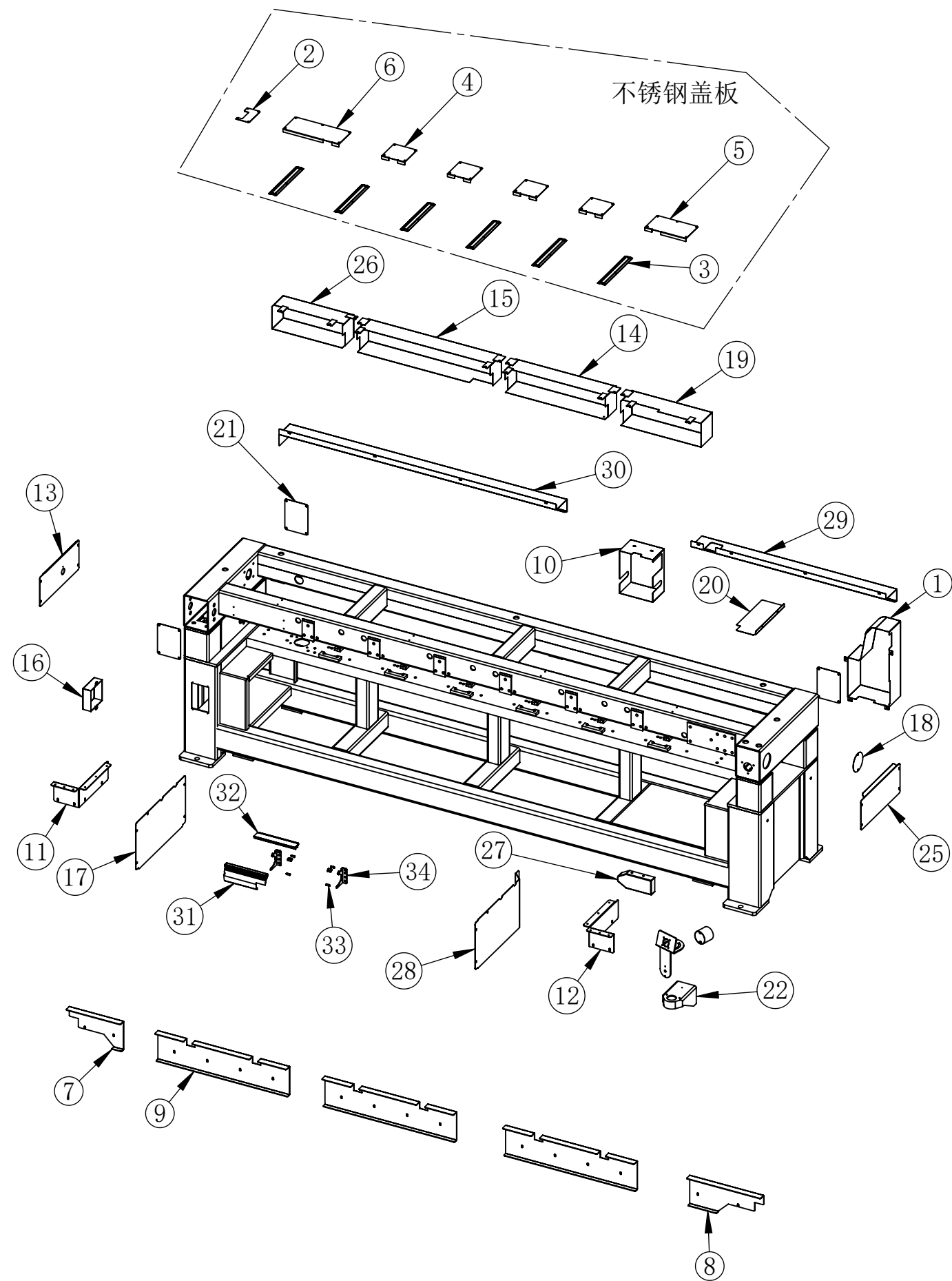
8 Gear Box 齿轮箱



8 Gear Box 齿轮箱

No.	Chinese Description	Description	Part No.	Qty
1	主马达同步轮8M17T	Timing Pulley	103250001	1
2	主马达	Main Motor		1
3	万向轴承204	Bearing UCFL204	202110002	4
4	齿轮箱上轴	Top Shaft	103250002	1
5	轴承衬板T3	Bearing Washer	103250017	4
6	悬挂帽机刻度盘盖	Angle Cover	103260003	1
7	刻度盘 直径75	Angle Indicator	103250003	1
8	刻度盘指针	Pointer	103250004	1
9	张紧轮轴	Screw With Pin	103250018	1
10	轴承6200	Bearing	202010044	2
11	张紧轮D50d30L50	Flat Pulley	103250019	1
12	帽机下轴齿轮支架	Pulley Support Palte	103250005	1
13	轴承联接板T8	Connecting Coupling A	103250020	4
14	齿轮箱下轴	Bottom Shaft	103250006	1
15	主轴皮带轮M8T34	Timing Pulley	103250007	2
16	扳手孔盖	Lid:Handle	103260010	1
17	左墙板盖板	Left Side Cover	103260016	1
18	右墙板盖板	Right Side Cover	103260004	
19	主电机皮带 8M 1320 W30	Timing Belt	204030051	1
20	主电机板-130电机	Motor Flange Plate	103250008	1

9 Machine Cover 机器罩盖

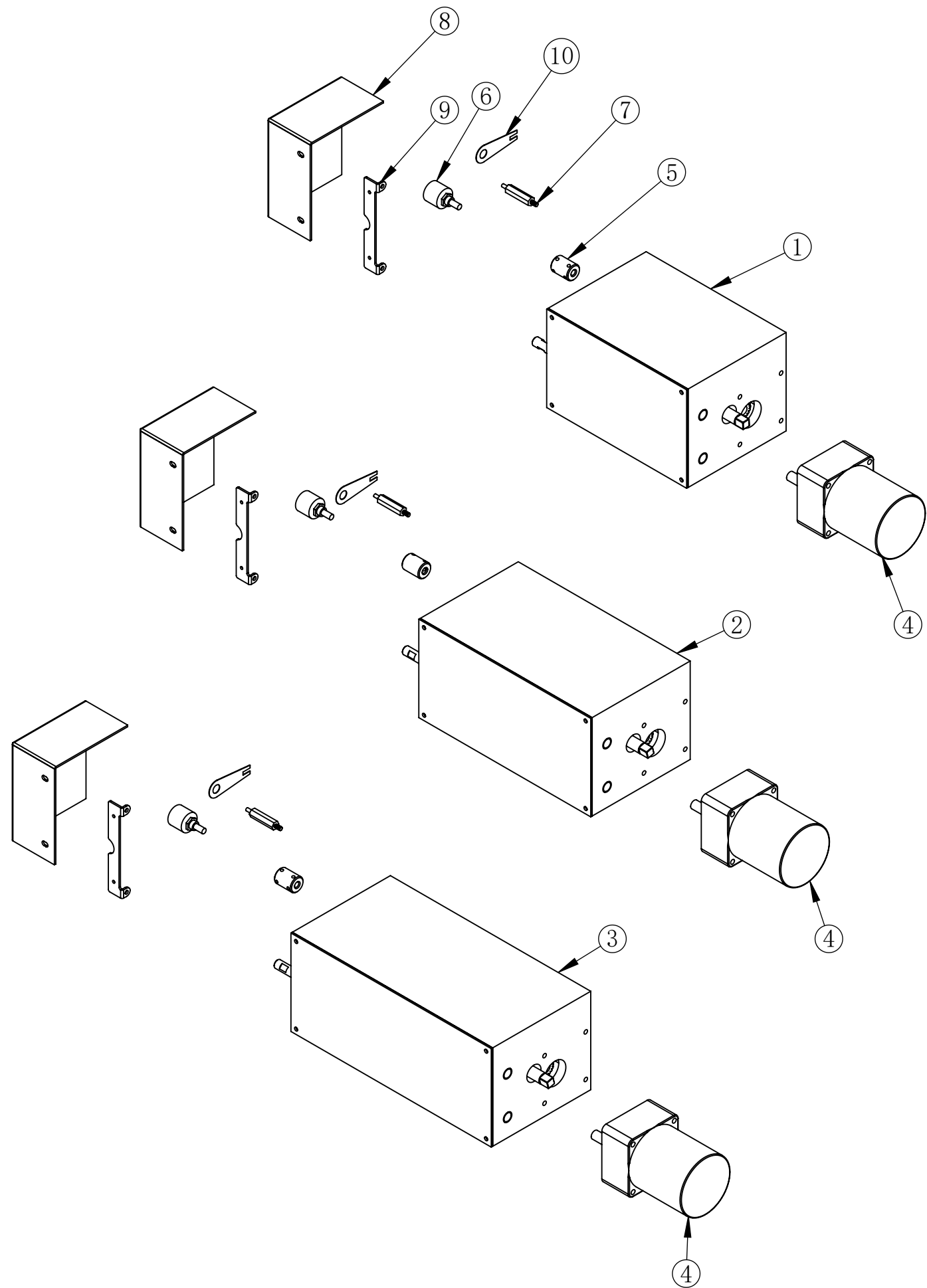


221021

9 Machine Cover 机器罩盖

No.	Chinese Description	Description	Part No.	Qty
1	X马达盖	X Motor Cover	103260001	1
2	左侧轴承盖板	Bearing Cover	103140004	1
3	弧形梭床中盖板 - 帽机用	Bed Mid Cover	103030035	6
4	梭床后盖板A	Back Cover A	103140001	4
5	梭床后盖板B	Back Cover B	103140002	1
6	梭床后盖板C	Back Cover C	103140003	1
7	梭床前盖板(左)	Bed Front Cover	103140008	1
8	梭床前盖板(右)	Bed Front Cover	103140009	1
9	梭床前盖板-双头组	Bed Front Cover Mid	103140007	3
10	Y马达联体罩盖	Cover	103260002	1
11	脚前支撑板(左)	Support Plate L	103140005	1
12	脚前支撑板(右)	Support Plate R	103140006	1
13	左墙板盖板	Left Side Cover	103260016	1
14	前梁电气后盖A	Electric Cover A	103260022	1
15	前梁电气后盖B	Electric Cover B	103260023	1
16	悬挂帽机刻度盘盖	Angle Cover	103260003	1
17	下电气箱侧盖板-左	Electric Side Cover	103260018	1
18	换色马达孔盖	Hole Cover	103260005	1
19	前梁电气后盖C	Electric Cover C	103260024	1
20	X花键轴上盖板-多头Y450	Upper Cover	103200028	1
21	横梁端盖	End Cover	103260011	3
22	显示器支架B 多帽机用	Display Stand B	103260014	1
23	显示器座A	Display Stand A	103260012	1
24	圆形急停开关罩	Stop Switch Cover	103260013	1
25	右墙板盖板	Left Side Cover	103260004	1
26	前梁电气后盖D	Electric Cover D	103260025	1
27	X花键轴轴承座盖板	Cover	103260036	1
28	下电气箱侧盖板 - 右	Electric Side Cover	103260017	1
29	Y后轴罩盖 - 6头右	Y Shaft Cover L	103260054	1
30	Y后轴罩盖 - 6头左	Y Shaft Cover L	103260053	1
31	头间塑料盖-前片	Plastic Front Cover	404010001	1
32	头间塑料盖-后片	Plastic Back Cover	404010002	1
33	塑料盖卡位销	Cover Pin	103260059	8
34	头间塑料盖支架	Cover Bracket	103260060	2

10 Color Change Parts 换色

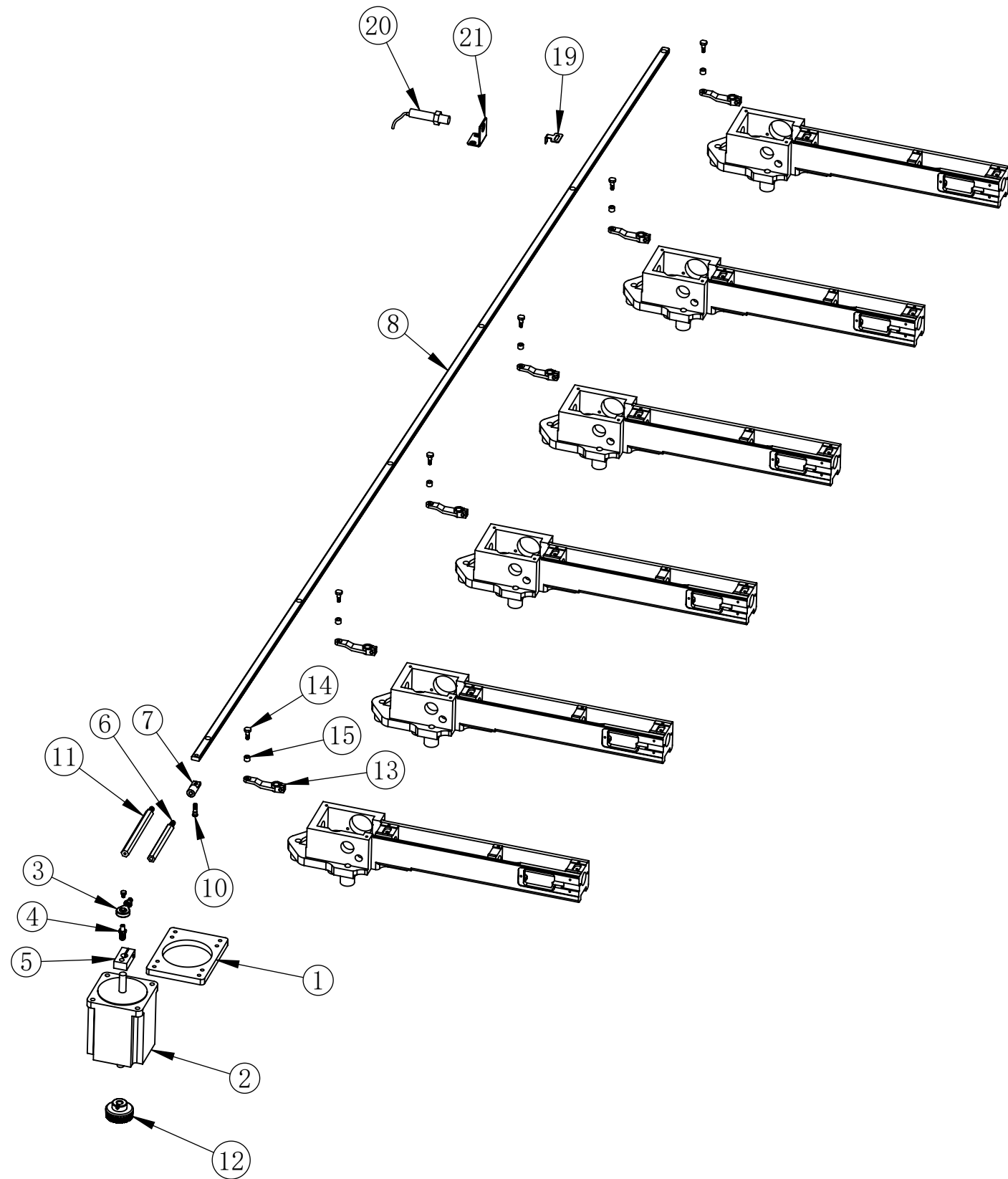


221021

10 Color Change Parts 换色

No.	Chinese Description	Description	Part No.	Qty.
1	大换色箱组件-9针	Color Change Device 9Pin	303010001	1
2	大换色箱组件-12针	Color Change Device 12Pin	303010002	1
3	大换色箱组件-15针	Color Change Device 15Pin	303010003	1
4	交流减速电机12.5G10	Color Change Motor	206100001	1
5	铜套	Bushing		1
6	电位器	Potentiometer	207020001	1
7	电位器螺栓-多帽	Potentiometer Fixed Bolt	102080004	1
8	换色箱左侧罩	Cover	103260038	1
9	换色箱左侧罩支架	Holder	103260037	1
10	电位器支撑板-多帽	Plate	102080003	1
11	换色箱面板-9针	Box Panel	102080009	
12	换色箱面板-12针	Box Panel	102080010	
13	换色箱面板-15针	Box Panel	102080011	

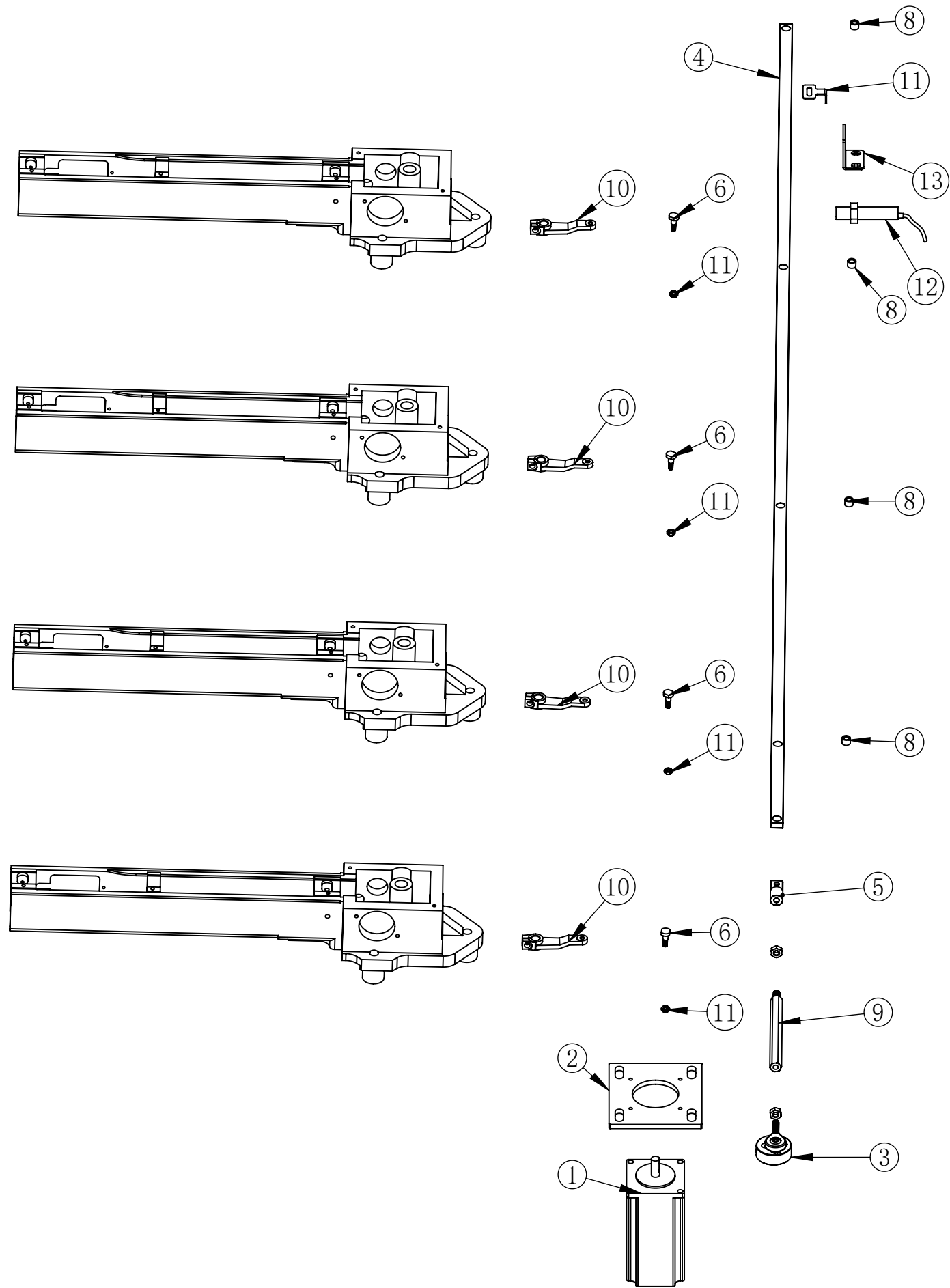
11 Trimming Drive System 剪线驱动



11 Trimming Drive System 剪线驱动

No.	Chinese Description	Description	Part No.	Qty
1	86电机安装法兰板	Motor Base	103070012	1
2	86H2P100步进电机-剪线用	Motor	206050001	1
3	球头轴承SA6	Bearing	202100002	1
4	偏心轮台阶螺销	Screw Pin	103070014	1
5	电机剪线驱动联接块-帽机用	Block	103070013	1
6	剪线六角连接螺栓L90	Connecting Rod	109070009	1
7	螺栓连接头	Link Set	103070015	1
8	剪线驱动条-6头	Trimming Long Arm	103070010	1
9	剪线驱动条-8头	Trimming Long Arm	103070011	1
10	分段销	Pin	105080017	1
11	剪线六角连接螺栓L113	Connecting Rod	109070007	1
12	塑料手柄d10	Adjust Handle	105010017	1
13	开口剪线连杆	Drive Arm	105070006	6
14	多帽剪线台阶销	Step Screw	103070021	6
15	剪线拉杆铜套	Bushing	103070003	6
19	剪线长杆接近片	Induction Of Iron	103070019	1
20	接近开关	Proximity Sensor	207030007	1
21	接近开关支架 - 轻型机	Sensor Bracket	102030051	1

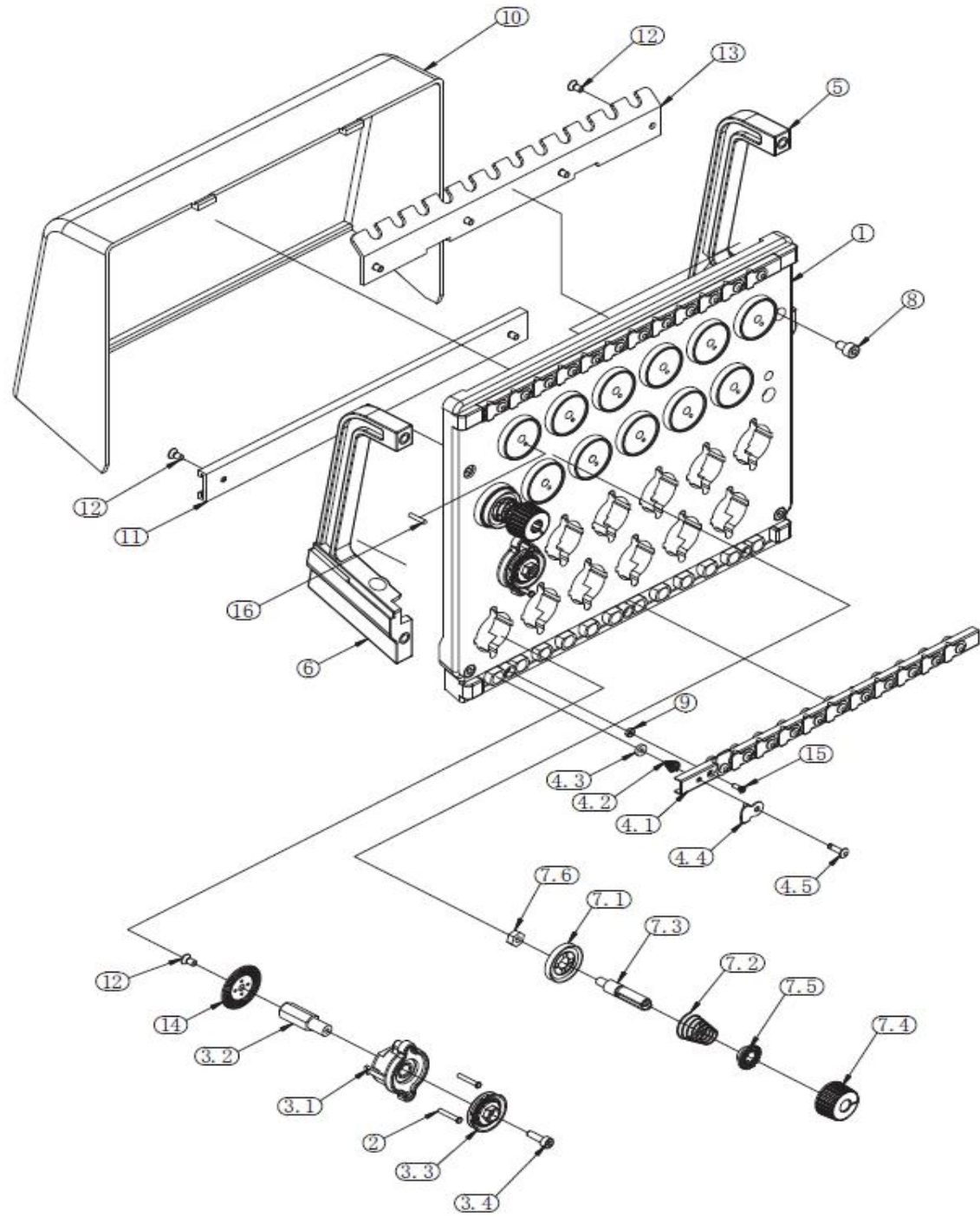
11 Trimming Drive System 剪线驱动



11 Trimming Drive System 剪线驱动

No.	Chinese Description	Description	Part No.	Qty
1	底线剪线电机57H2P112	Step Motor	206020002	1
2	57电机安装法兰板-高速帽机用	Cut Motor Plate	103070004	1
3	剪线偏心轮组件d8	Slider Wheel Set	306060002	1
4	剪线驱动条-4头机用	Drive Rod	103070009	1
5	螺栓连接头	Link Set	103070015	1
6	多帽剪线台阶销	Step Screw	103070021	4
8	剪线拉杆铜套	Bushing	103070003	4
9	剪线六角连接螺栓L113	Screw L113	109070007	1
10	开口剪线连杆	Drive Arm	105070006	4
11	剪线长杆接近片	Induction Of Iron	103070019	1
12	接近开关	Proximity Sensor	207030007	1
13	接近开关支架 - 轻型机	Sensor Bracket	102030051	1

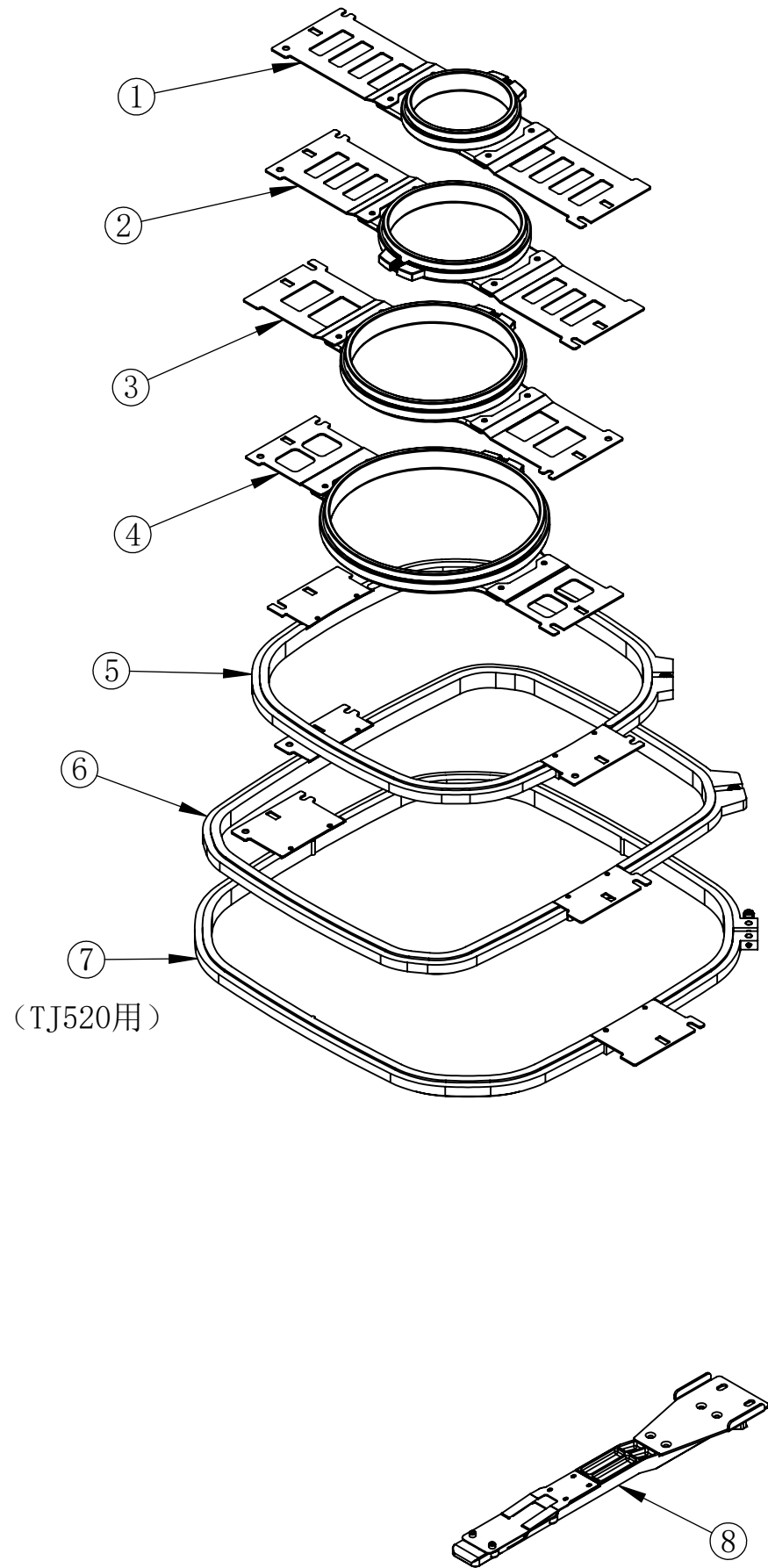
12 Thread Tension Base 夹线器组件



12 Thread Tension Base 夹线器组件

No.	Chinese Description	Description	Part No.	Qty
12.1	夹线器总成-余美真6针	Thread lead plate-06 For 06-Needle	0305060005	1
	夹线器总成-余美真9针	Thread lead plate-06 For 09-Needle	0305060006	
	夹线器总成-余美真12针	Thread lead plate-12 For 12-Needle	0305060007	
	夹线器总成-余美真15针	Thread lead plate-15 For 15-Needle	0305060008	
12.1	夹线器总成-集美6针	Thread lead plate-06 For 06-Needle	0305060001	1
	夹线器总成-集美9针	Thread lead plate-09 For 09-Needle	0305060002	
	夹线器总成-集美12针	Thread lead plate-12 For 12-Needle	0305060003	
	夹线器总成-集美15针	Thread lead plate-15 For 15-Needle	0305060004	
	夹线器总成-金龙鼎6针	Thread lead plate-06 For 06-Needle	0305060005	
	夹线器总成-金龙鼎9针	Thread lead plate-09 For 09-Needle	0305060006	
	夹线器总成-金龙鼎12针	Thread lead plate-12 For 12-Needle	0305060007	
	夹线器总成-金龙鼎15针	Thread lead plate-15 For 15-Needle	0305060008	
	夹线器总成-丹阳6针	Thread lead plate-06 For 06-Needle	0305060009	
	夹线器总成-丹阳9针	Thread lead plate-09 For 09-Needle	0305060010	
	夹线器总成-丹阳12针	Thread lead plate-12 For 12-Needle	0305060011	
	夹线器总成-丹阳15针	Thread lead plate-15 For 15-Needle	0305060012	

16 Embroidery Frame 花架

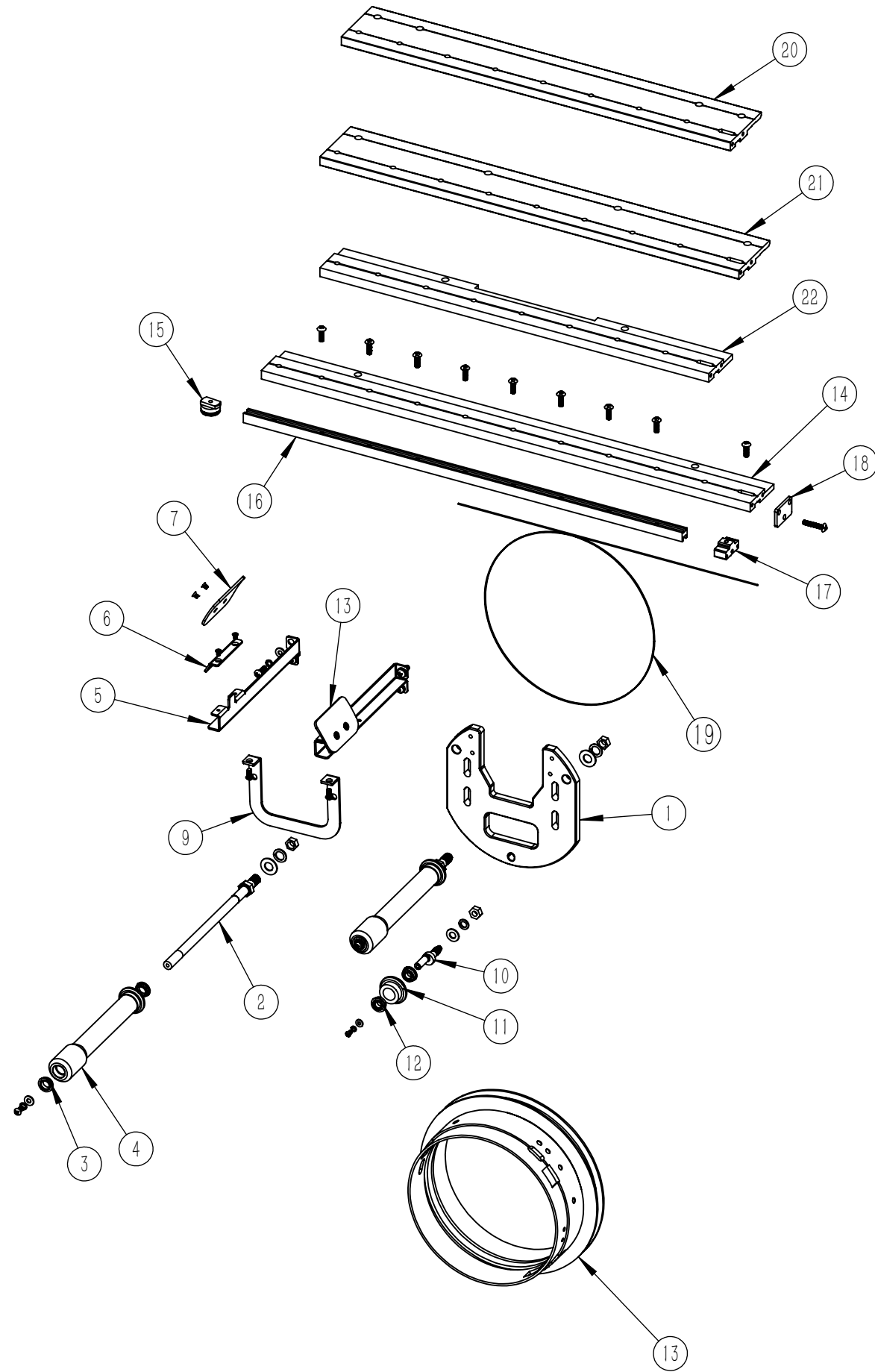


16 Embroidery Frame 花架

No.	Chinese Description	Description	Part No.	Qty
1	帽机绷架-灰色D90	Round Frame-90	316010011	n
2	帽机绷架-灰色D120	Round Frame-120	316010012	n
3	帽机绷架-灰色D150	Round Frame-150	316010013	n
4	帽机绷架-灰色D190	Round Frame-190	316010014	n
5	帽机绷架-灰色D290	Rectangle Frame-290	316010015	n
6	帽机绷架-灰色315*395	Rectangle Frame-315x395	316010016	n
7	帽机绷架-灰色400*400	Rectangle Frame-400	316010017	n
8	双拼铸铝扶手装配	Double Frame Bracket Set	316010010	n+1

* 7#为头距520用高速帽机使用

17-1 Cap Frame parts 帽驱动组件

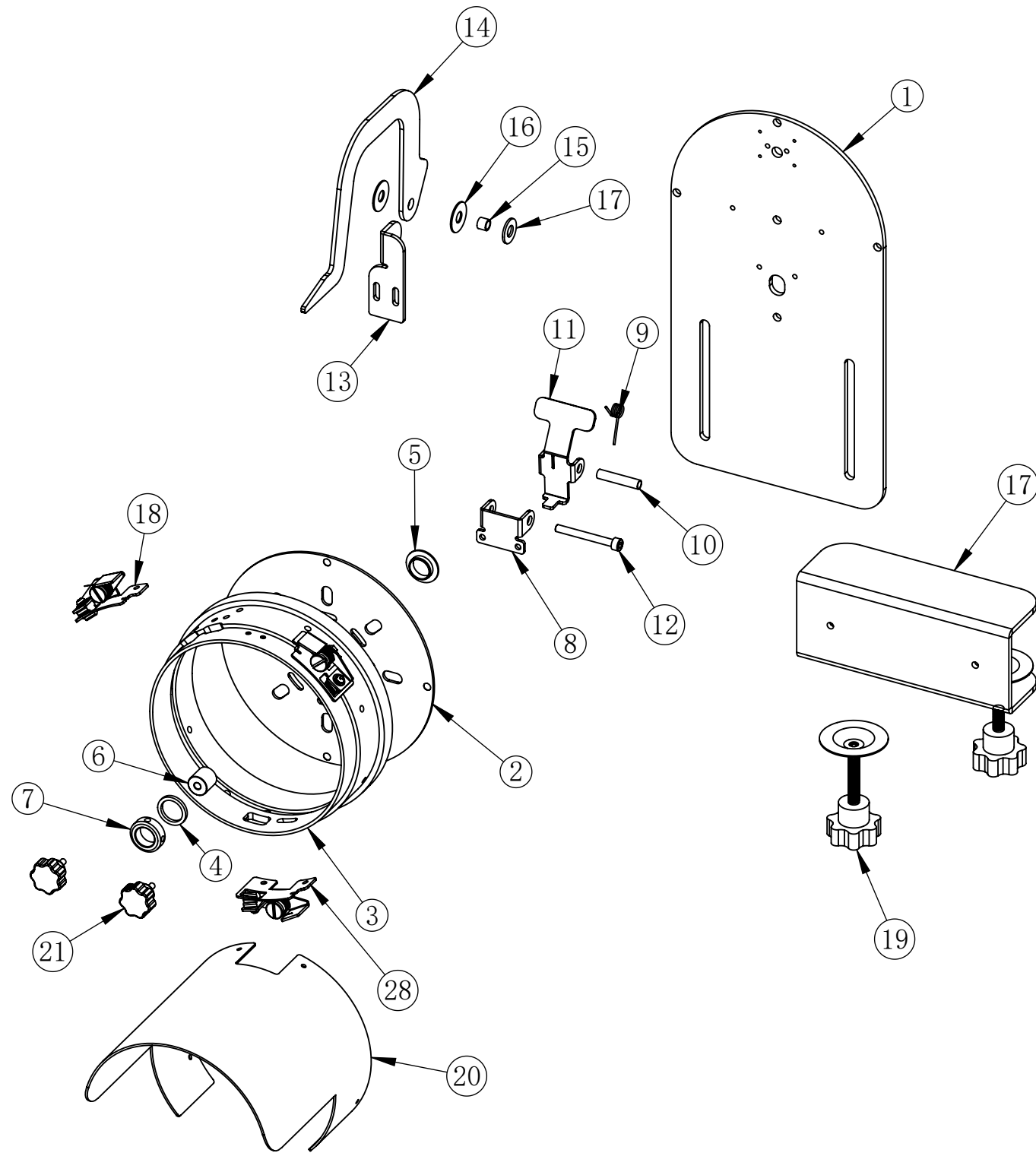


220708

17-1 Cap Frame parts 帽驱动组件

No.	Chinese Description	Description	Part No.	Qty
1	帽驱动底板	Cap frame main support	103240021	1
2	导向轮轴	Shaft	103240024	2
3	轴承MFL2622	Bearing MFL2622	202010037	4
4	尼龙棒	Nylon rod	103240023	2
5	导向支撑左	Support-L	103240025	1
6	导向板调节座	Support plate	103240028	1
7	帽导向板	Minor support plate	103240029	1
8	导向支撑右	Support-R	103240026	1
9	左右支撑加强版	U stand	103240036	1
10	偏心销	Pin shaft	103240004	1
11	尼龙滚轮	Trolley	103240030	1
12	轴承MFL2822	Bearing MFL2822	202010036	2
13	帽圈	Cap tube	103240022	1
14	马头机帽框联结板L490	Cap frame support plate	103240045	1
15	驱动滑轮M4XD17T10	Nylon wheel	103240042	1
16	帽驱动板导轨	Plastic bar	103240044	1
17	钢丝张紧块	Adjustment slider	103240039	1
18	驱动板调节座 (28X18X2.5)	Adjustment plate	103240041	1
19	钢丝	Steel wire	103240048	1
20	高速帽机帽框联接板-TJ400	Cap Frame Support Plate	103240040	1
21	高速帽机帽框联接板-TJ520	Cap Frame Support Plate	103240046	1
22	帽框联接板L390	Peaks connecting plate	103240047	1

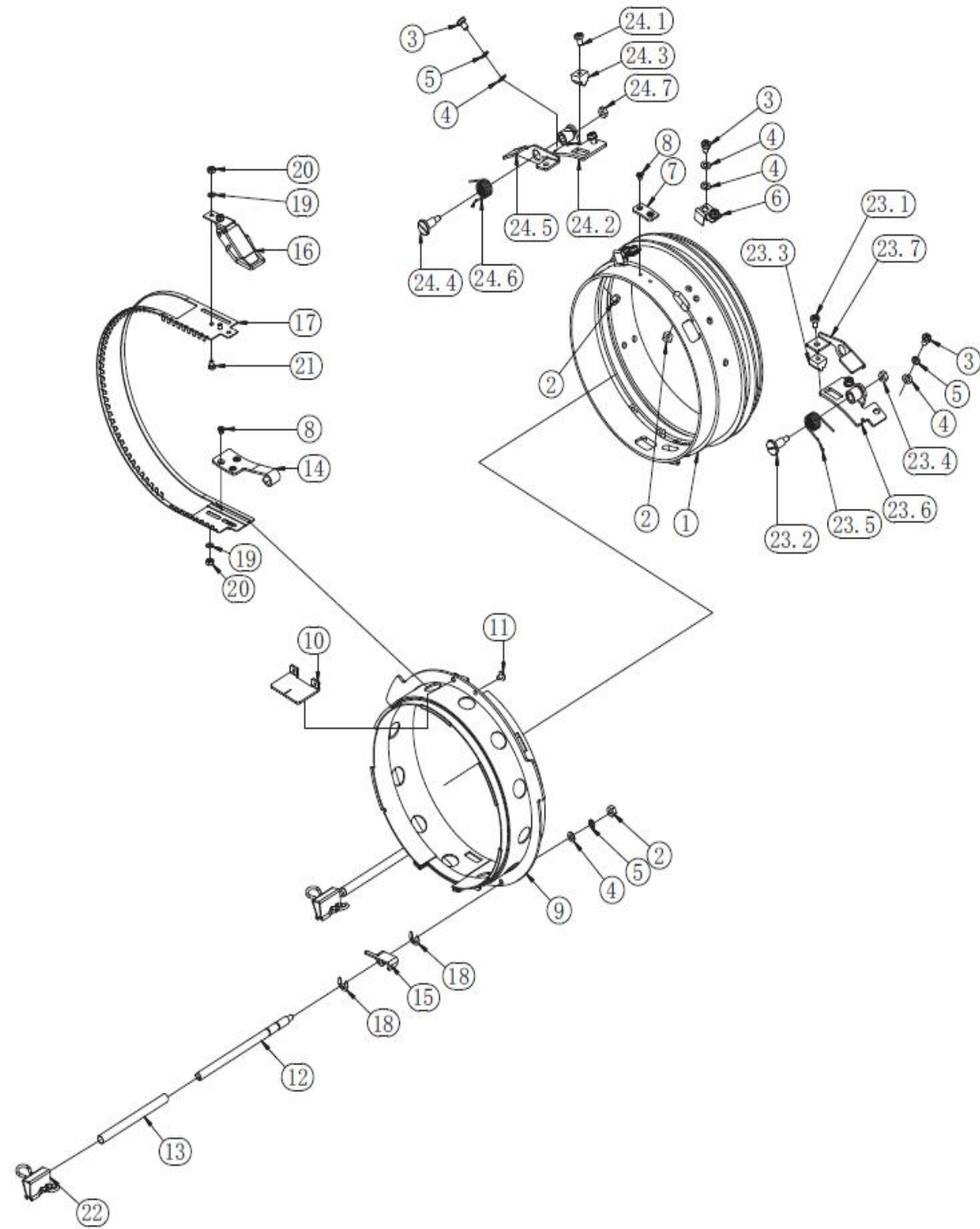
17-2 Cap Frame Parts 帽座组件



17-2 Cap Frame Parts 帽座组件

No.	Chinese Description	Description	Part No.	Qty
1	帽架支架平板 - 带旋转	Cap Frame Main Su	110200003	1
2	帽架帽圈后板	Back Palte	110200004	1
3	帽座帽圈	Cap Tube	110200005	1
4	轴芯尼龙隔套	Ring	110200006	1
5	轴芯耐磨衬套	plastics Collar	110200007	1
6	轴芯 - 旋转	Pin	110200008	1
7	轴芯挡圈	Collar	110200009	1
8	扳扣底板	Trigger Base Plate	110200010	1
9	扳扣扭簧	Trigger Spring	110200011	1
10	扳扣转轴	Trigger Shaft	110200012	1
11	扳扣板	Trigger	110200013	1
12	M5螺丝 - 45半牙	Screw		1
13	对位板底板	Location Base Plate	110200014	1
14	对位板	Location Plate	110200015	1
15	对位板空心转轴	Location Shaft	110200016	1
16	尼龙垫片D22d8H1	Insulation Spacer	110200017	2
17	帽架支架U板	Support U Plate	110200019	1
18	帽圈卡扣组件A	Snap Set A	317010011	1
28	帽圈卡扣组件B	Snap Set B	317010012	2
19	帽座手柄A	Handle A	103240011	2
20	帽檐	Brim of a hat	103240006	1
21	梅花手柄螺丝M4L10	Screw	110200055	2

18. Cap Stand Frame 帽架



18. Cap Stand Frame 帽架

No.	Chinese Description	Description	Part No.	Qty
1	帽管	Cap tube		
2	螺母M4	Nut M4		
3	十字槽扁圆头螺钉	Truss head screws M4*6	201160406-3	
4	垫圈M4	Washer M4	201210410-2	
5	弹垫M4	Spring washer M4		
6	弹片	Shrapnel		
7	定位块	Positioning block		
8	十字槽沉头螺钉M3*4	Counterbore screws M3*4	201130304-2	
9	夹	Clamp		
10	定位块	Positioning block		
11	六角头螺钉M3*4	Hex head cap screws M3*4	201460304-1	
12	帽架支柱	Hat rack strut		
13	橡胶衬套	Rubber bushing		
14	锁扣	Tie head cap		
15	锁钩	Lock hook		
16	锁	Lock		
17	夹帽片	Cap strapping rod		
18	E型圈	E-Ring-6		
19	垫圈M4	Washer M4	201210410-2	
20	螺母M3	Nut M3	201350322	
21	六角头螺钉M3*4	Hex head cap screws M3*4	201460304-1	
22	夹子	Clip		
23	帽盖组件A	Cap casing A		
23.1	十字槽扁圆头螺钉	Truss head screws M4*6	201160406-3	
23.2	带卡盘螺丝	Screw with chucker		
23.3	帽盖A	Cap casing		
23.4	螺母M4	Nut M4	201350422	
23.5	收宿弹簧	Collet spring		
23.6	夹座	Clamp base		
23.7	夹座A	Clamp base A		
24	夹座B	Clamp base B		
24.1	十字槽扁圆头螺钉	Truss head screws M4*6	201160406-3	
24.2	夹座B	Clamp base B		
24.3	帽盖组件	Cap casing		
24.4	带卡盘螺丝	Screw with chucker		
24.5	帽盖B	Cap casingB		
24.6	收宿弹簧B	Collet spring B		
24.7	螺母M4	Nut M4	201350422	